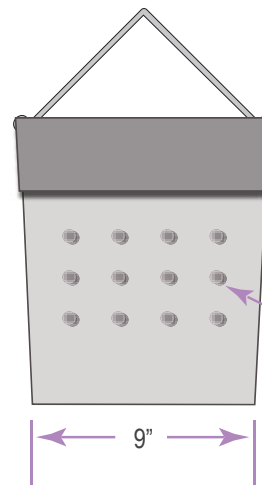
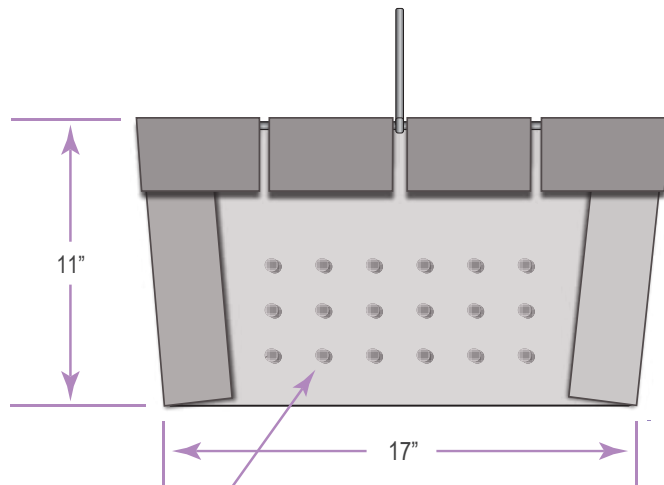
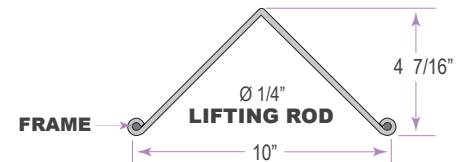


**NOTES:**


1. CHEMICAL RESISTANT CORRUGATED HDPE PLASTIC
2. 1/4" STAINLESS STEEL WIRE FRAME w/LIFTING ROD ACROSS TOP
3. DESIGNED FOR:  
CB3012 CATCH BASIN  
CB3024 CATCH BASIN (REQUIRES 2)



12X Ø 1/2  
**HOLE THRU  
12 EACH END**

X Ø 1/2  
**HOLE THRU  
EACH SIDE**

DIMENSIONS ARE IN INCHES OR MILLIMETERS IN BRACKETS UNLESS OTHERWISE NOTED.

	BY	DATE	WEIGHT	 www.TrenchDrainSystems.com PO Box 377 • Fremont, OH 43420 (610) 638-1221
DRN	JRS	2/26/16		
CHK	JRS	2/26/16		
ENG				
APR				
SCALE				DRAWING DESCRIPTION
NOT TO SCALE				3000 SERIES
DRAWING NUMBER				12" x 24" SEDIMENT BASKET
CA1224TA				



**3000 SERIES**  
SERIOUS DRAINAGE • SERIOUS SOLUTIONS