

GRATE SECTION

Design Features

- Materials
Ductile Iron (80-55-06)
- Design Load
Extra Heavy Duty
- Open Area
266 sq in
- Coating
Dipped
Hot Dipped Galv. (optional)

Certification

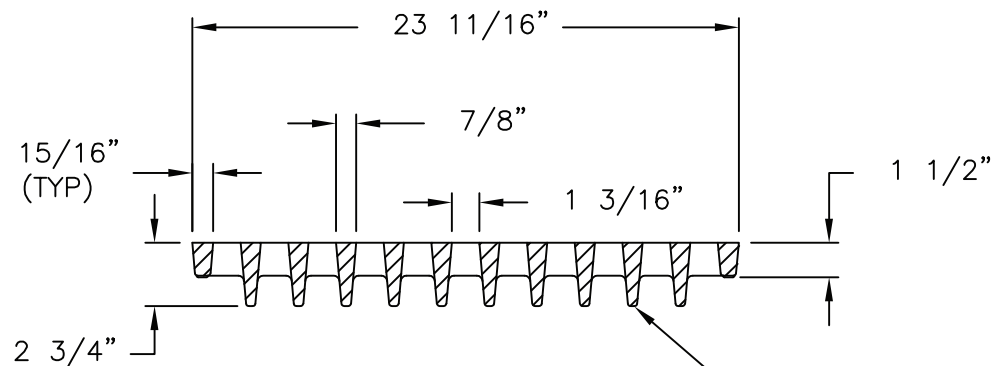
- ASTM A536
- Country of Origin: USA

Fits

- CB3024 Catch Basin
- SS653 Catch Basin

Disclaimer

Weights (lbs./kg) dimensions (inches/mm) and drawings provided for your guidance. We reserve the right to modify specifications without prior notice.



GRATE SECTION

ASTM A536 DI
V5622
PROD NO.
MO/DY/YR X

	BY	DATE	WEIGHT
DRN	JRP	12/15/16	
CHK	JRP	12/15/16	
ENG			
APR			
SCALE NOT TO SCALE			
DRAWING NUMBER TDS-865			
PART NUMBER DG2441D			

TRENCH DRAIN
SYSTEMS

www.TrenchDrainSystems.com
PO Box 377 • Fremont, OH 43420
(610) 638-1221

DRAWING DESCRIPTION

DUCTILE SLOTTED GRATE
24" x 24"



3000 SERIES
SERIOUS DRAINAGE • SERIOUS SOLUTIONS

