

POLYCAST!

DG0675

600 Series

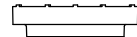
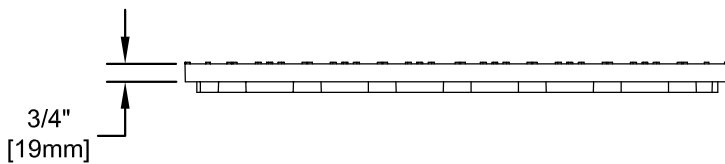
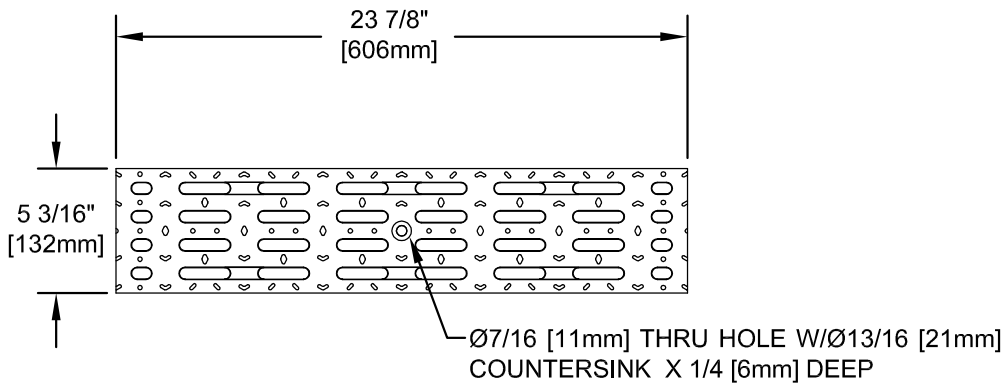
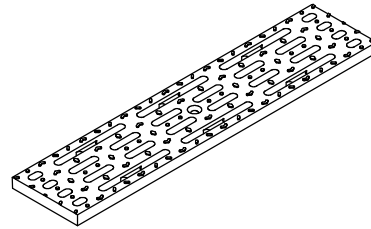
DURAGUARD® Transverse

PROJECT ID/
CONTRACT NO: _____

LOCATION: _____

ENGINEERING SPECIFICATION:

POLYCAST® DG0675 Grate is a versatile and economical alternative high-density polyethylene composite grate. When used in high velocity transverse sheet flow applications, the longitudinal slots create turbulence to improve entry of flow into the channel. Grating locking device Part No. DA0642 (not shown) should be used and maintained secure. The grate has 23% (28 in²) of open area. The grate weighs approximately 4lbs [1.81kg] and is only available in 24" [610mm] length.



APPLICATION LOAD CLASS B:

Automobiles, light pickup trucks, general aviation aircraft, and low speeds (parking areas and driveways). Designed for a distributed pressure of 62psi (9,000psf).



LENOIR CITY, INC.
www.polycastrain.com
Toll Free Number:
1-800-346-3061

PC-57
12/5/2008