

Design Features

- Materials
Ductile Iron (80-55-06)
- Design Load
Extra Heavy Duty
Class E
- ADA Compliant
- Open Area
35% (62in²)
- Coating
Dipped
Hot Dipped Galv. (optional)

Certification

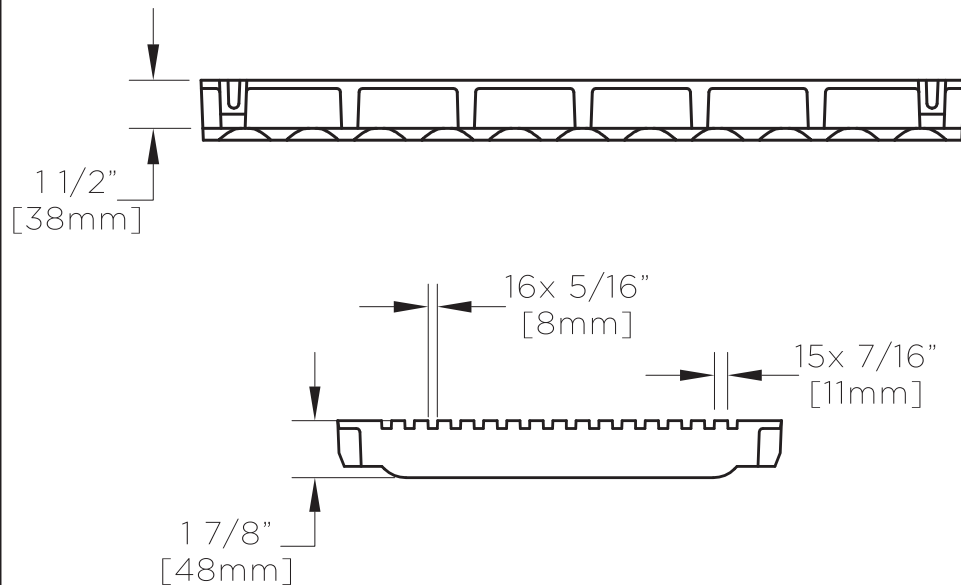
- ASTM A536-80
- Country of Origin: USA

Fits

- FP1200 Trench Drain

Disclaimer

Weights (lbs./kg) dimensions (inches/mm) and drawings provided for your guidance. We reserve the right to modify specifications without prior notice.



	BY	DATE	WEIGHT
DRN	JRP	9/26/17	#66
CHK	JRP		
ENG			
APR			
SCALE NOT TO SCALE			
DRAWING NUMBER TDS-1275			
PART NUMBER FG1275			

TRENCH DRAIN
SYSTEMS

www.TrenchDrainSystems.com
PO Box 377 • Fremont, OH 43420 USA
(610) 638-1221

DRAWING DESCRIPTION
TRANSVERSE SLOTTED
DUCTILE ADA GRATE
14.6" x 24"