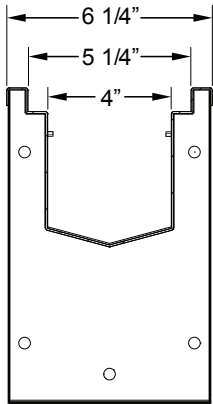
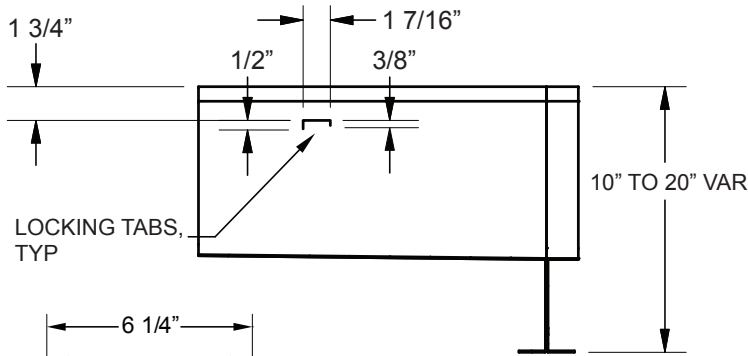




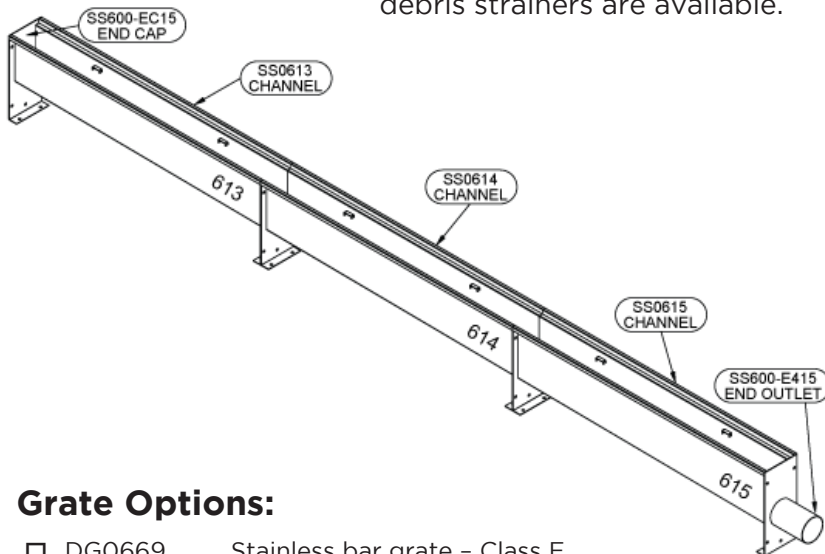
SS600 SERIES

Depth Chart



CHANNEL DETAILS

SS600 channels are 48" long, 6.25" wide with a 4" throat. Modular channels are made from 16 ga. Stainless steel and sloped to a standard 1.0%. Channels connect with a bolted, flanged connection. Channels have a smooth v-shaped profile and end/bottom outlets sized 2", 3", 4". Catch basins and debris strainers are available.



Grate Options:

- DG0669 Stainless bar grate - Class E
- DG0657 Stainless perforated grate - Class A
- DG0647 Stainless slotted grate - Class A
- DG0657R Reinforced stainless perforated grate - Class C
- DG0647R Reinforced stainless slotted grate - Class C
- DG0644SP Vinyl Ester fiberglass bar grate - Class C
- DG0675HD Ductile iron transverse slotted grate - Class D
- DG0641D Ductile iron slotted grate - Class E

Channel #	Starting Invert	Ending Invert
600N	3.50	3.50
601	3.50	4.00
602	4.00	4.50
603	4.50	5.00
604	5.00	5.50
605	5.50	6.00
605N	6.00	6.00
605H	6.00	6.00
606	6.00	6.50
607	6.50	7.00
608	7.00	7.50
609	7.50	8.00
610	8.00	8.50
611	8.50	9.00
612	9.00	9.50
613	9.50	10.00
614	10.00	10.50
615	10.50	11.00
615N	11.00	11.00
615H	11.00	11.00
616	11.00	11.50
617	11.50	12.00
618	12.00	12.50
619	12.50	13.00
620	13.00	13.50
621	13.50	14.00
622	14.00	14.50
623	14.50	15.00
624	15.00	15.50
625	15.50	16.00
625N	16.00	16.00
625H	16.00	16.00

Accessories:

- SS0650 Catch Basin (6" x 24")
- SS0651 Catch Basin (12" x 24")
- DA0622 4" Debris Outlet Strainer
- DA0650TC 6" Trash Basket
- 12" Trash Basket
- DA0633S Installation Bracket
- SS0642B Grate Hold-Down (Hex Head Bolt)
- SS0642S Grate Hold-Down (Flat Head Bolt)
- SS0642F Grate Hold-Down (for Fiberglass)



www.TrenchDrainSystems.com
 PO Box 377 • Fremont, OH 43420
 (610) 638-1221