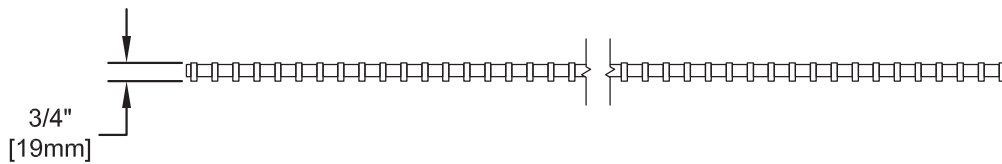
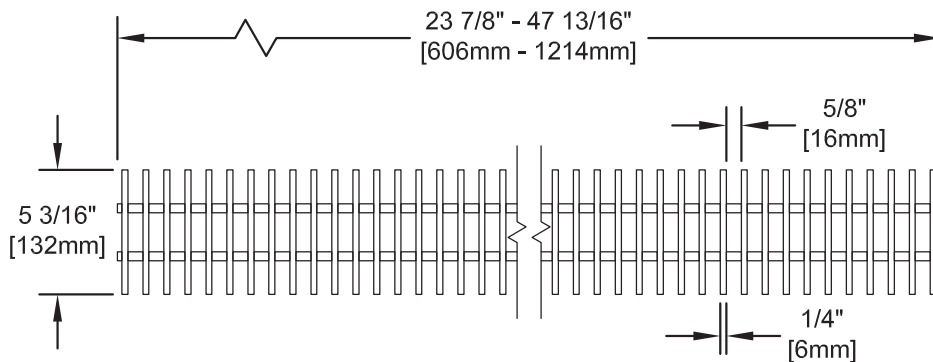
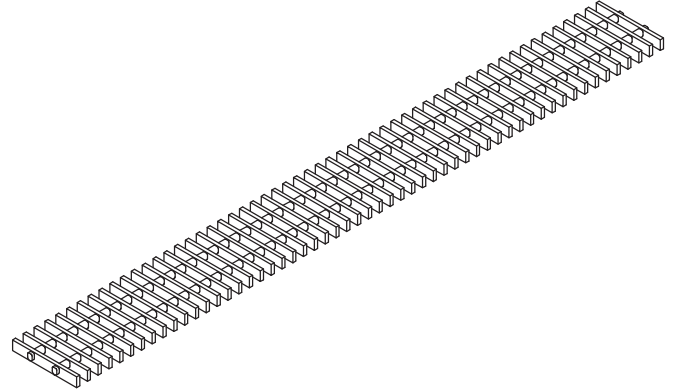


TDS0644 Fiberglass Bar Grate

ENGINEERING SPECIFICATION:

This fiberglass grate is designed for use in areas requiring extreme chemical resistance. The clear opening between the bars is 5/8" [16mm]. Grating locking device Part No. SS0642F (not shown) should be used and maintained secure. The grate has 46% (114 in²) of open area. The grate weighs approximately 5lbs [2.27kg] and is available in both 24" [610mm] and 48" [1219mm] lengths.



APPLICATION LOAD CLASS: C

Pneumatic tire vehicles, highway vehicles and low to moderate speeds (parking areas and driveways). Designed for a distributed pressure of 260psi (37,440psf). ADA Compliant for accessible routes.