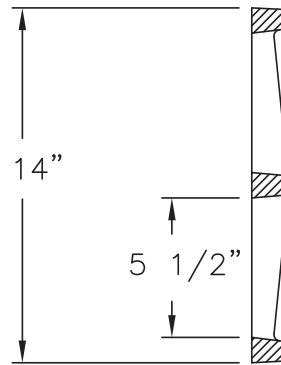
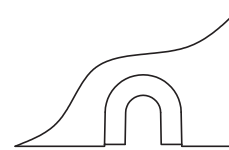


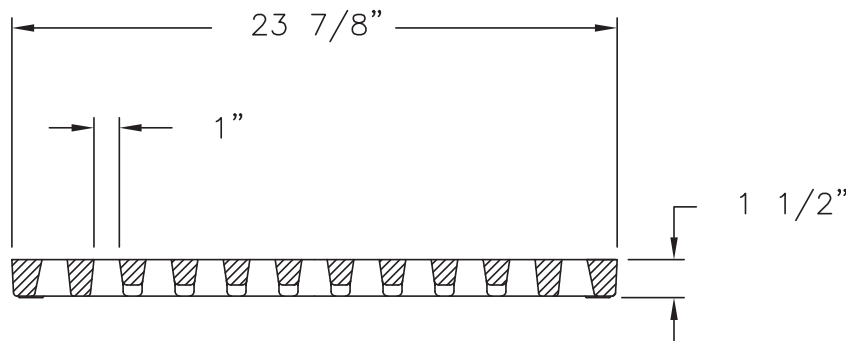
(4) CORED SLOTS FOR BOLTING



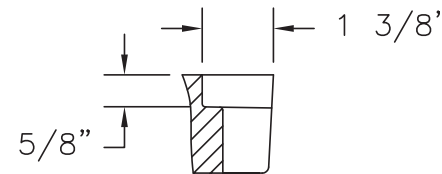
SECTION



SLOT PLAN



SECTION



SLOT SECTION

Design Features

- Materials
Gray Iron (CL35B)
- Design Load
Heavy Duty
- Open Area
112 sq in
- Coating
Dipped
Hot Dipped Galv. (optional)

Fits

- CB3012 Catch Basin
- SS651 Catch Basin

Disclaimer

Weights (lbs./kg) dimensions (inches/mm) and drawings provided for your guidance. We reserve the right to modify specifications without prior notice.



3000 SERIES
SERIOUS DRAINAGE • SERIOUS SOLUTIONS



| | BY | DATE | WEIGHT |
|----------------|-----|---------|--------|
| DRN | JRL | 2/15/16 | 60# |
| CHK | JRL | 2/15/16 | |
| ENG | | | |
| APR | | | |
| SCALE | | | |
| NOT TO SCALE | | | |
| DRAWING NUMBER | | | |
| TDS-860 | | | |
| PART NUMBER | | | |
| DG1241D | | | |

TRENCH DRAIN SYSTEMS

www.TrenchDrainSystems.com
PO Box 377 • Fremont, OH 43420
(610) 638-1221

DRAWING DESCRIPTION

CATCH BASIN GRATE
14" x 24"