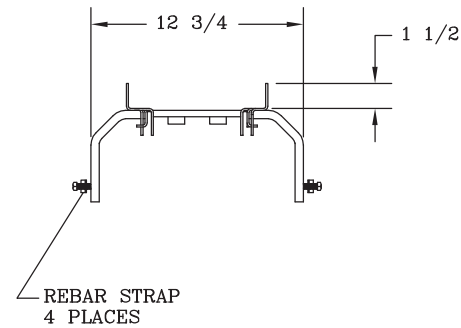
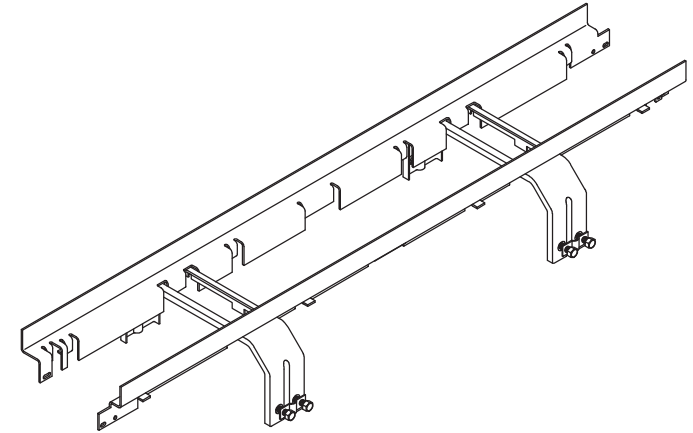


5/16-UNC X 1.00 LG.
HEX HEAD BOLT
8 PLACES



REBAR STRAP
4 PLACES

NOTES:

1. DG3700 - 11 GA. (.1196) ZINC PLATED STEEL
2. DG3700S - 11 GA. (.1196) 18-8 STAINLESS STEEL

DIMENSIONS ARE IN INCHES OR MILLIMETERS IN BRACKETS UNLESS OTHERWISE NOTED.

	BY	DATE	WEIGHT
DRN	JRS	1/25/16	16.5#
CHK	JRS	1/25/16	
ENG			
APR			
APR			
SCALE	1 1/2" = 1'		
DRAWING NUMBER	DG3700 / DG3700S		

TRENCH DRAIN
SYSTEMS

www.TrenchDrainSystems.com
PO Box 377 • Fremont, OH 43420
(610) 638-1221

DRAWING DESCRIPTION
3000 SERIES FRAME

