

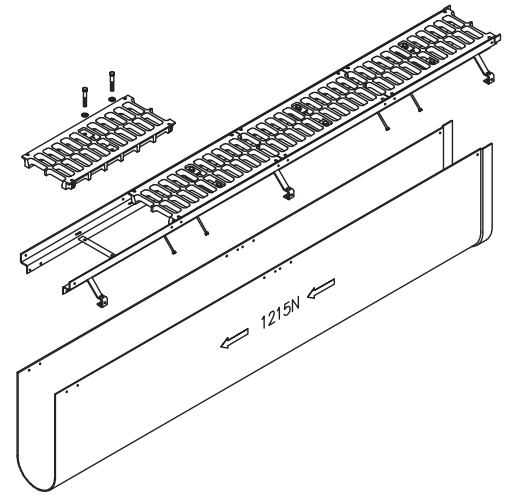


FP1200 SERIES

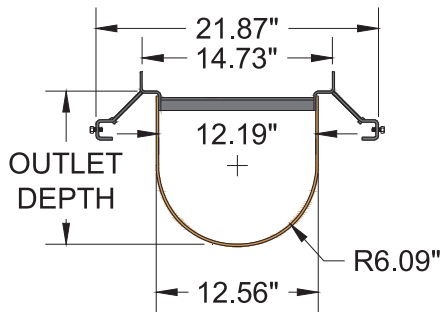
SERIOUS DRAINAGE • SERIOUS SOLUTIONS

ENGINEERING SPECIFICATION:

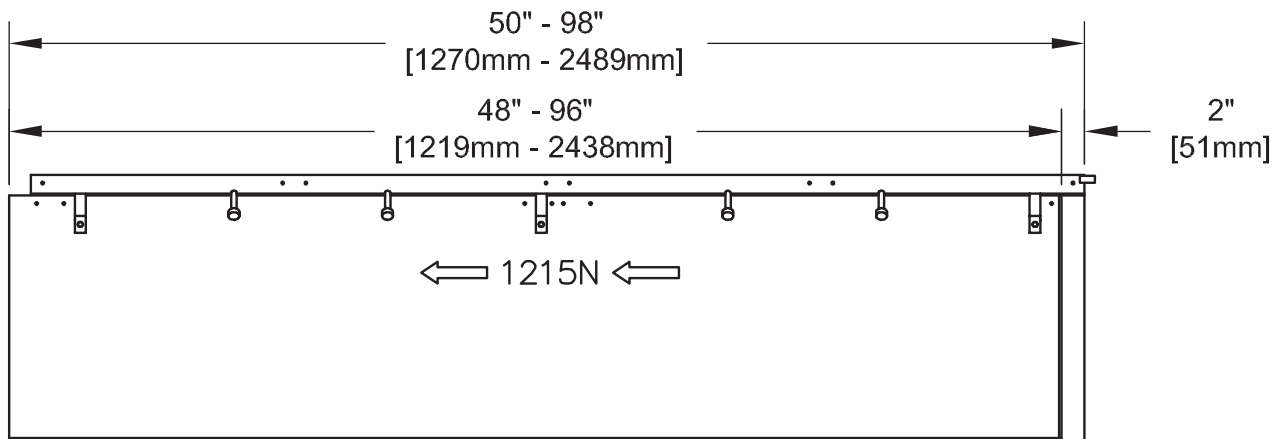
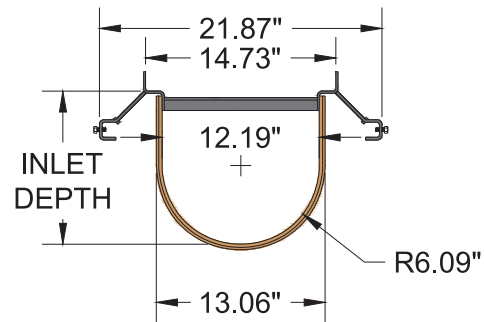
The FP1200™ Series Pre-Sloped Trench Drain System is the ideal solution for high volume flow situations such as airports, roadways, and seaports. Designed with the installer in mind, this revolutionary design incorporates full 360° interlocks and prefabricated turns and tees to minimize installation time. This drain is 12" wide and comes in both 4' and 8' lengths for maximum flexibility.



End View - Outlet



End View - Inlet



Options (Select All That Apply)			
<input checked="" type="checkbox"/>	Grate Type	Part No.	DIN Load Class
<input type="checkbox"/>	Ductile Iron Slotted	FG1241	Class C
<input type="checkbox"/>	Ductile Iron Slotted	FG1242	Class E
<input type="checkbox"/>	Transverse Slotted	FG1275	Class E
<input type="checkbox"/>	Ductile Iron Slotted	FG1246	Class F



Fast Drainage • Quick Solutions

www.TrenchDrainSystems.com

Trench Drain Systems
 PO Box 377
 Fremont, Ohio 43420 USA
 610-638-1221
 sales@TrenchDrainSystems.com
 TDS-1210