



**JAY R. SMITH MFG. CO.®**  
 DIVISION OF SMITH INDUSTRIES, INC.  
 POST OFFICE BOX 3237  
 MONTGOMERY, ALABAMA 36109-0237 (USA)  
 TEL: 334-277-8520 FAX: 334-272-7396 www.jrsmith.com

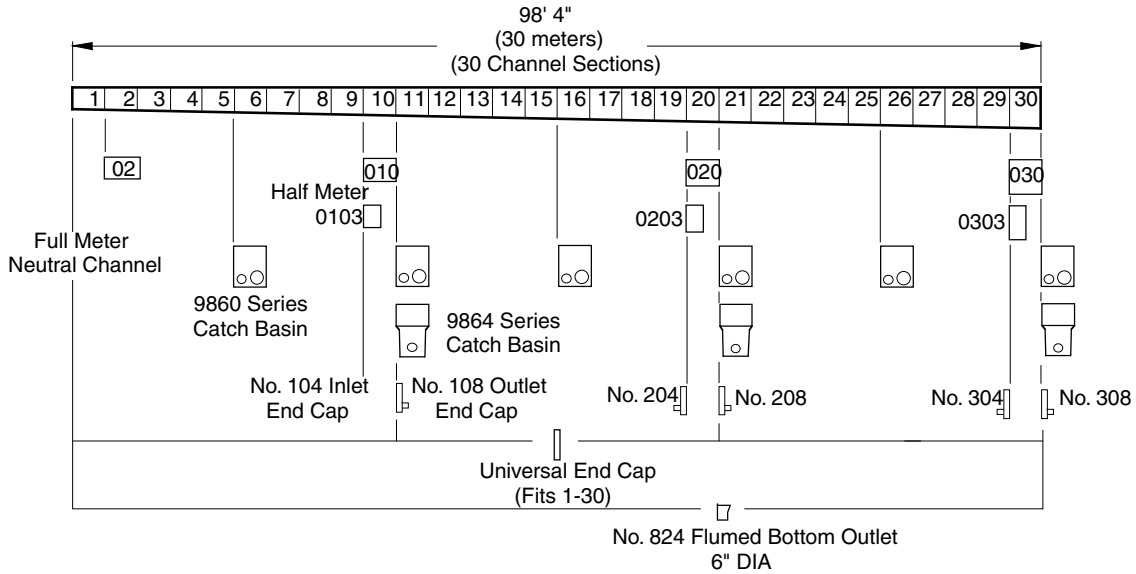


MEMBER OF:

LOCATION

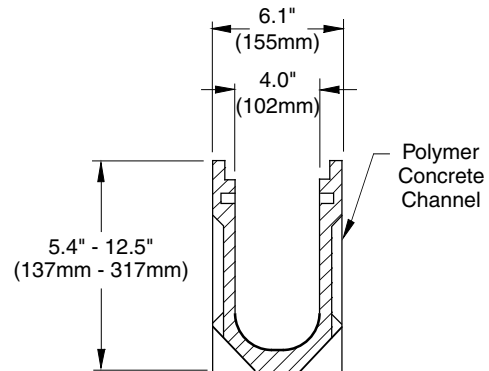
# 6" WIDE 9814 CHANNEL SLOPE® PRECAST POLYMER CONCRETE SYSTEM

**FUNCTION:** Used in all surface drainage applications, may be assembled in any length utilizing interlocking tongue and groove ends. This reduces installation time and cost, providing an engineered sloped solution for drainage requirement.



All channels provided with vertical preformed knock-out positions for 4" and 6" outlet discharge.

**Note:** This trench drainage system is designed for "on grade applications only", as there are no provisions for a flashing flange or flashing clamp.



**REGULARLY FURNISHED:**

1 Meter (3.28') Precast Polyester Concrete Channel of Interlocking Design with a Built-in Slope of .6% with Radiused Bottom. Supplied with Secured Grate as per Specification.

**VARIATIONS:**

- Grate Specifications (See Back)
- Bottom Outlet 6"
- Closing End Cap
- Horizontal Outlet 4"
- Horizontal Outlet 6"
- Dome Strainer 4" size only
- Channel Chair
- Catch Basin Only 9860
- Catch Basin Bucket, available catch basin only 9860
- Catch Basin only 9864
- Catch Basin Bucket, available catch basin only 9864
- Rante Arrow

**OPTIONAL MATERIALS:**

- Vinylester Resin



DRAWING NUMBER  
a9814

SIZE  
A

SCALE:  
NONE

DATE:  
8-3-93

APPROVED BY:  
PACE

CHECKED BY:  
PACE

DRAWN BY:  
CMB

9814

FIGURE NUMBER

WE CAN ASSUME NO RESPONSIBILITY FOR USE OF SUPERSEDED OR VOID DATA

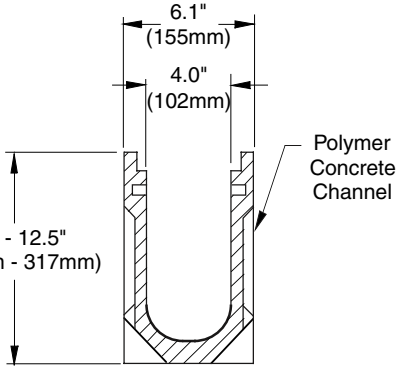
REV.	DATE	DESCRIPTION	BY	CKD. BY
M	5-15-08	Remove Outlet Cap from #5 Channel	RN	MD
L	11-28-07	Added mm to cross section	JJ	PJ
K	9-27-07	Revised Drawing	JJ	MD

WEIGHT POUNDS	VOLUME CUBIC FEET	FIGURE NUMBER <b>9814</b>
---------------	-------------------	------------------------------



# 6" WIDE 9814 CHANNEL SLOPE® PRECAST POLYMER CONCRETE SYSTEM

Hydraulic Capacity and Deep End Depths 9814 System



#Neutral Full Meter Channel  
 \*Neutral Half Meter Channel

Light Duty, DIN 19580 **Class A** - 3,500 lbs - 70 psi  
 For pedestrian, wheel chair and bicycle traffic

- 9870-410-GP- 1/4" dia. perforated galv. steel grate (27.60 SQ. IN.)
- 9870-420-G - 3 1/4" x 3/8" slotted galv. steel grate (42.60 SQ. IN.)
- 9870-440-VF- 4 7/8" x 5/8" vinylester fiberglass bar grate (144.00 SQ.IN) Non-Q-Loc
- 9870-440-VF2- 4 7/8" x 3/8" vinylester fiber glass bar grate (113.00 SQ.1N) Non-Q-Loc
- 9870-450-SS 3 1/4" x 3/8" slotted stainless steel grate (42.60 SQ. IN.)
- 9870-451-SSPA- 1/4" dia. perforated stainless steel grate (27.60 SQ. IN.)
- 9870-445-SSADA- 3/16" x 3/16" longitudinal stainless steel slot bar grate (95.00 SQ. IN.)
- 9870-494-PADA- 1 3/4" x 5/16" longitudinal slot black polypropylene grate (28.0 SQ.IN.)
- 9870-491-HPP- 1 13/16" x .25" slotted black polypropylene grate non-Q-loc (17.00 SQ.1N.)

Heavy Duty, DIN 19580 **Class C** -56,000 lbs - 1,162 psi  
 For commercial pneumatic tire traffic patterns, forklifts and tractor trailers

- 9870-405-GM- 1 3/16" x 1/2" longitudinal galv. steel slot bar grate (125.30 SQ. IN.)
- 9870-411-GPHD- 1/4" dia. perforated galv. steel grate (27.60 SQ. IN.)
- 9870-416-GS- solid galvanized steel cover non-Q-Loc
- 9870-425-GHD- 3 1/4" x 3/8" slotted galv. steel grate (42.60 SQ. IN.)
- 9870-430-SSM- 1 3/16" x 1/2" longitudinal stainless steel slot bar grate (125.30 SQ.IN.)
- 9870-455-SSHD- 3 1/4" x 3/8" slotted stainless steel grate (42.60 SQ. IN.)
- 9870-460-CI- 3 15116" x 3/8" cast iron slotted grate (2 1.00 SQ.1N) n 0.) non-Q-Loc
- 9870-465-SSP- 1/4" dia. perforated stainless steel gate (27.60 SQ. IN.)
- 9870-477-ML- 1 3/4" x 1 longitudinal ductile iron slotted grate (42.00 SQ. IN.)
- 9870-479-MD- Mosaic pattern ductile iron grate (19.50 SQ.1N)
- 9870-485-PB- 1/4" dia. perforated brass grate (27.60 SQ.IN.)
- 9870-492-RC- 1 1/2" x 13/16" slotted resin composite grate (16.30 SQ. IN.)

**NOTE:** The grate securing bolts must remain secured in the grate and tightened to the locking bar installed in the channel. If the grate securing bolts are removed from the grates for maintenance of the trench drain, they must be replaced and retightened. If the grate securing bolts are left out of the grates, the life span of the trench drain system could be affected along with the safety of pedestrian traffic.

Channel Number	Deep End Depth* in.	mm	Slope	Holding Capacity (gallons)	Single Est. CFS	Channel Est. GPM	Weight lbs.
9814-100-1	5.6	143	0.6	2.3	.29	128	33.0
9814-100-02#	5.6	143	0.0	2.3	.33	146	33.0
9814-100-2	5.8	149	0.6	2.6	.31	141	33.0
9814-100-3	6.0	155	0.6	2.6	.34	151	35.0
9814-100-4	6.3	161	0.6	2.7	.36	164	35.0
9814-100-5	6.5	167	0.6	2.9	.39	177	36.0
9814-100-6	6.7	173	0.6	3.0	.42	187	36.0
9814-100-7	7.0	179	0.6	3.2	.45	200	38.0
9814-100-8	7.2	185	0.6	3.4	.47	213	40.0
9814-100-9	7.4	191	0.6	3.5	.49	224	41.0
9814-100-010#	7.4	191	0.0	3.6	.51	229	42.0
9814-100-0103*	7.4	191	0.0	3.6	.51	229	22.0
9814-100-10	7.7	197	0.6	3.7	.53	237	43.0
9814-100-11	7.9	203	0.6	3.8	.56	250	44.0
9814-100-12	8.1	209	0.6	4.0	.58	261	44.0
9814-100-13	8.4	215	0.6	4.2	.61	274	45.0
9814-100-14	8.6	221	0.6	4.3	.64	287	46.0
9814-100-15	8.9	227	0.6	4.5	.67	301	47.0
9814-100-16	9.1	233	0.6	4.6	.70	314	48.0
9814-100-17	9.3	239	0.6	4.8	.72	324	49.0
9814-100-18	9.6	245	0.6	4.9	.75	338	50.0
9814-100-19	9.8	251	0.6	5.1	.78	351	51.0
9814-100-020#	9.8	251	0.0	5.2	.79	356	52.0
9814-100-0203*	9.8	251	0.0	5.2	.79	356	27.0
9814-100-20	10.0	257	0.6	5.3	.81	362	53.0
9814-100-21	10.3	263	0.6	5.4	.84	375	54.0
9814-100-22	10.5	269	0.6	5.6	.86	389	55.0
9814-100-23	10.7	275	0.6	5.7	.88	399	56.0
9814-100-24	11.0	281	0.6	5.9	.92	413	56.0
9814-100-25	11.2	287	0.6	6.1	.95	426	58.0
9814-100-26	11.5	293	0.6	6.2	.98	440	58.0
9814-100-27	11.7	299	0.6	6.4	1.01	453	59.0
9814-100-28	11.9	305	0.6	6.5	1.03	464	59.0
9814-100-29	12.2	311	0.6	6.7	1.06	477	59.0
9814-100-030#	12.2	311	0.0	6.8	1.08	485	59.0
9814-100-0303*	12.2	311	0.0	6.8	1.08	485	32.0
9814-100-30	12.5	317	0.6	6.9	1.09	491	60.0



P  
DRAWING NUMBER  
a9814BS

SIZE  
A

SCALE:  
NONE

DATE:  
8-3-93

APPROVED BY:  
PACE

CHECKED BY:  
PACE

DRAWN BY:  
CMB

9814BS

WE CAN ASSUME NO RESPONSIBILITY FOR USE OF SUPERSEDED OR VOID DATA

DIMENSIONS ARE SUBJECT TO MANUFACTURERS TOLERANCE AND CHANGE WITHOUT NOTICE

FIGURE NUMBER	P N M	11-28-07 9-27-07 8-19-04	Added mm to cross section Revised Drawing Revised Grate Table	JJ JJ RN	MD MD PJ	WEIGHT POUNDS	VOLUME CUBIC FEET	FIGURE NUMBER <b>9814BS</b>
REV.	DATE	DESCRIPTION	BY	CKD. BY				