

M



JAY R. SMITH MFG. CO.®
 DIVISION OF SMITH INDUSTRIES, INC.
 POST OFFICE BOX 3237
 MONTGOMERY, ALABAMA 36109-0237 (USA)
 TEL: 334-277-8520 FAX: 334-272-7396 www.jrsmith.com



MEMBER OF:

LOCATION

DRAWING NUMBER
99818

SIZE
A

SCALE:
NONE

DATE:
8-2-93

APPROVED BY:
PACE

CHECKED BY:
PACE

DRAWN BY:
CMB

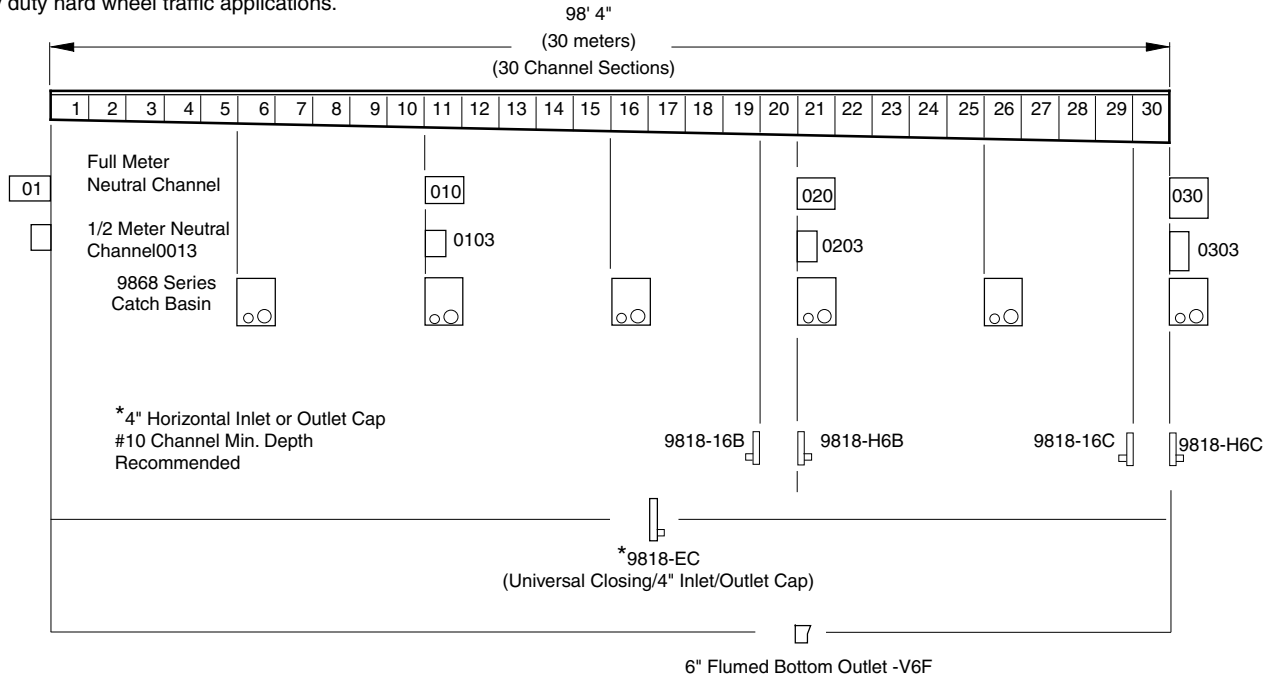
9818

WE CAN ASSUME NO RESPONSIBILITY FOR USE OF SUPERSEDED OR VOID DATA

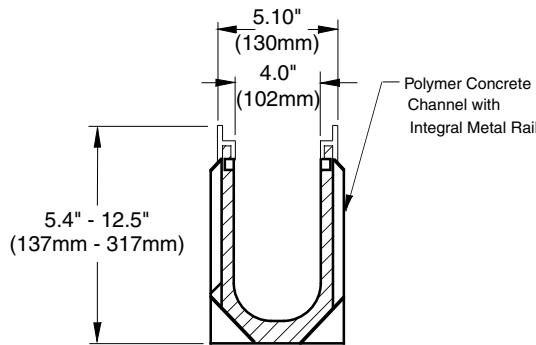
DIMENSIONS ARE SUBJECT TO MANUFACTURERS TOLERANCE AND CHANGE WITHOUT NOTICE

6" WIDE 9818 CHANNEL SLOPE® DRAIN SYSTEM w/INTEGRAL METAL RAIL

FUNCTION: Used in all surface drainage applications, may be assembled in any length utilizing integral metal rail that allows for heavy duty hard wheel traffic applications.



All channels provided with vertical preformed knock-out positions for 4" and 6" outlet discharge.



REGULARLY FURNISHED:

1 Meter (3.28') Precast Polyester Concrete Channel of Interlocking Design with a Built-in Slope of .6%. Channel has an Integral Metal Rail and Radiused Bottom. Supplied with Secured Grate as per Specification.

VARIATIONS:

- Grate Specifications (See Back)
- Bottom Outlet 6"
- UNV Closing/4" Inlet Outlet Cap
- Horizontal Outlet 6"
- Dome Strainer 4" size only
- Channel Chair
- Catch Basin Only
- Catch Basin Bucket, available catch basin only
- Rante Arrow

OPTIONAL MATERIALS:

- Vinylester Resin

OPTIONAL RAIL MATERIALS:

- Stainless Steel

Note: This trench drainage system is designed for "on grade applications only", as there are no provisions for a flashing flange or flashing clamp.



FIGURE NUMBER

M L K

11-28-07
9-28-07
6-17-05

Added mm to cross section
Revised Drawing
Added Note

JJ JJ TBW

PJ MD PJ

REV.

DATE

DESCRIPTION

BY

CKD. BY

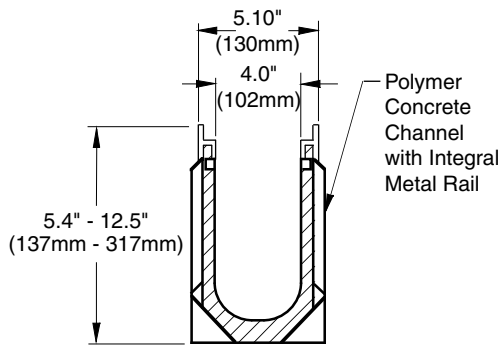
WEIGHT POUNDS

VOLUME CUBIC FEET

FIGURE NUMBER

9818

6" WIDE 9818 CHANNEL SLOPED DRAIN SYSTEM w/INTEGRAL METAL RAIL



#Neutral Full Meter Channel
 *Neutral Half Meter Channel

Holding Capacity and Deep End Depths 9818 System

Channel Number	Deep End Depth* in.	mm	Slope	Holding Capacity (gallons)	Weight lbs.
9818-100S-0013*	5.4	137	0.0	1.0	15.0
9818-100S-01#	5.4	137	0.0	2.0	29.0
9818-100S-1	5.7	145	0.6	2.3	31.0
9818-100S-2	5.9	151	0.6	2.6	31.0
9818-100S-3	6.2	157	0.6	2.6	32.0
9818-100S-4	6.4	163	0.6	2.7	34.0
9818-100S-5	6.7	169	0.6	2.9	34.0
9818-100S-6	6.9	175	0.6	3.0	35.0
9818-100S-7	7.1	184	0.6	3.2	37.0
9818-100S-8	7.3	187	0.6	3.4	39.0
9818-100S-9	7.6	193	0.6	3.5	39.0
9818-100S-10	7.8	199	0.6	3.7	41.0
9818-100S-010#	7.8	199	0.0	3.6	39.0
9818-100S-0103*	7.8	199	0.0	3.6	21.0
9818-100S-11	8.1	205	0.6	3.8	41.0
9818-100S-12	8.3	211	0.6	4.0	42.0
9818-100S-13	8.5	217	0.6	4.2	42.0
9818-100S-14	8.8	223	0.6	4.3	43.0
9818-100S-15	9.0	229	0.6	4.5	43.0
9818-100S-16	9.3	235	0.6	4.6	44.0
9818-100S-17	9.5	241	0.6	4.8	45.0
9818-100S-18	9.7	247	0.6	4.9	46.0
9818-100S-19	9.9	253	0.6	5.1	47.0
9818-100S-20	10.2	259	0.6	5.3	50.0
9818-100S-020#	10.2	259	0.0	5.2	47.0
9818-100S-0203*	10.2	259	0.0	5.2	26.0
9818-100S-21	10.4	265	0.6	5.4	52.0
9818-100S-22	10.7	271	0.6	5.6	52.0
9818-100S-23	10.9	277	0.6	5.7	53.0
9818-100S-24	11.1	283	0.6	5.9	53.0
9818-100S-25	11.4	289	0.6	6.1	54.0
9818-100S-26	11.6	295	0.6	6.2	54.0
9818-100S-27	11.8	301	0.6	6.4	55.0
9818-100S-28	12.1	307	0.6	6.5	55.0
9818-100S-29	12.3	313	0.6	6.7	55.0
9818-100S-30	12.6	319	0.6	6.9	56.0
9818-100S-030#	12.6	319	0.0	6.8	55.0
9818-100S-0303*	12.6	319	0.0	6.8	31.0

- Light Duty, DIN 19580 **Class A** - 3,500 lbs - 70 psi
 For pedestrian, wheel chair and bicycle traffic
- 9870-410-GP- 1/4 dia. perforated galv. steel grate (27.60 SQ. IN.) Open Area/1 Meter
 - 9870-420-G - 3 1/4 x 3/8 slotted galv. steel grate (42.60 SQ. IN.) Open Area/1 Meter
 - 9870-440-VF- 4 7/8" x 5/8" vinylester fiberglass bar grate (144.00 SQ. IN) (Non-Q-Loc) Open Area/1 Meter
 - 9870-440-VF2- 4 7/8" x 3/8" vinylester fiber glass bar grate (113.00 SQ. IN) Open Area/1 Meter
 - 9870-450-SS- 3 1/4x 3/8 slotted stainless steel grate (42.60 SQ. IN.) Non Q-Loc) Open Area/1 Meter
 - 9870-451-SSPA- 1/4 dia. perforated stainless steel grate (27.60 SQ. IN.) Open Area/1 Meter
 - 9870-445-SSADA- 13/16 x 3/16 longitudinal stainless steel slot bar grate (95.00 SQ. IN.) Open Area/1 Meter
 - 9870-494-PADA- 1 3/4x 5/16 longitudinal slot black polypropylene grate (28.0 SQ. IN.) Open Area/1/2 Meter
 - 9930-HPP- 1 13/16" x .25 slotted black polypropylene grate non-Q-loc (17.00 SQ. IN.) Open Area/1/2 Meter

- Heavy Duty, DIN 19580 **Class C** -56,000 lbs - 1,162 psi
 For commercial pneumatic tire traffic patterns, forklifts and tractor trailers
- 9870-405-GM- 13/16 x 1/2 longitudinal galv. steel slot bar grate (125.30 SQ. IN.) Open Area/1 Meter
 - 9870-411 -GPHD- 1/4 dia. perforated galv. steel grate (27.60 SQ. IN.) Open Area/1 Meter
 - 9870-416-GS- solid galvanized steel cover (Non Q-Loc) Open Area/1 Meter
 - 9870-425-GHD- 3 1/4x 3/8 slotted galv. steel grate (42.60 SQ. IN.) Open Area/1 Meter
 - 9870-430-SSM- 1 3/16 x 1/2 longitudinal stainless steel slot bar grate (125.30 SQ. IN.) Open Area/1 Meter
 - 9870-455-SSHD- 3 1/4 x 3/8 slotted stainless steel grate (42.60 SQ. IN.)Open Area/1 Meter
 - 9870-460-CI- 3 15/16" x 3/8" cast iron slotted grate (21.00 SQ. IN) Open Area/1/2 Meter
 - 9870-465-SSP- 1/4 dia. perforated stainless steel grate (27.60 SQ. IN.) Open Area/1 Meter
 - 9870-477-ML- 1 3/4 x 1 longitudinal ductile iron slotted grate (42.00 SQ. IN.) Open Area/1/2 Meter
 - 9870-479-MD- Mosaic pattern ductile iron grate (19.50 SQ. IN) Open Area/1/2 Meter
 - 9870-485-PB- 1/4 dia. perforated brass grate (27.60 SQ. IN.) Open Area/1 Meter
 - 9870-492-RC- 1 1/2 x 13/16 slotted resin composite grate (16.30 SQ. IN.)Open Area/1/2 Meter

- Extra Heavy Duty, DIN 19580 **Class E**- 135,000 lbs - 2,788 psi
 For commercial solid tire traffic patterns, forklifts and impacts from steel struts or metal wheels.
- 9870-435-GHDE- 3 1/4 x 3/8 slotted galv. steel grate (42.60 SQ. IN.)
 - 9870-456-MS- solid ductile iron cover (Non Q-Loc)
 - 9870-461-M- 3 15/16 x 3/8 ductile iron slotted grate (21.00 SQ. IN.)
 - 9870-477-MADA- 1 3/4 x 5/16 longitudinal ductile iron slotted grate (14.30 SQ. IN.)
 - 9870-490-SSHDE- 3 1/4 x 3/8 slotted stainless steel grate (42.60 SQ. IN.)

NOTE: The grate securing bolts must remain secured in the grate and tightened to the locking bar installed in the channel. If the grate securing bolts are removed from the grates for maintenance of the trench drain, they must be replaced and retightened. If the grate securing bolts are left out of the grates, the life span of the trench drain system could be affected along with the safety of pedestrian traffic.

*Available in 1 Meter and 1/2 Meter



DRAWING NUMBER: s9818BS
 SIZE: A
 SCALE: NONE
 DATE: 06/29/01
 APPROVED BY: Pace
 CHECKED BY: Pace
 DRAWN BY: JJ
 9818BS
 DIMENSIONS ARE SUBJECT TO MANUFACTURERS TOLERANCE AND CHANGE WITHOUT NOTICE

M	04/23/09	Removed CFS & GPM	JJ	MD	WEIGHT POUNDS	VOLUME CUBIC FEET	FIGURE NUMBER
L	11-28-07	Added mm to cross section	JJ	PJ			
K	9-28-07	Revised Drawing	JJ	MD			
J	7-19-04	Revised Table	TBW	PJ			
REV.	DATE	DESCRIPTION	BY	CKD.	9818BS		