
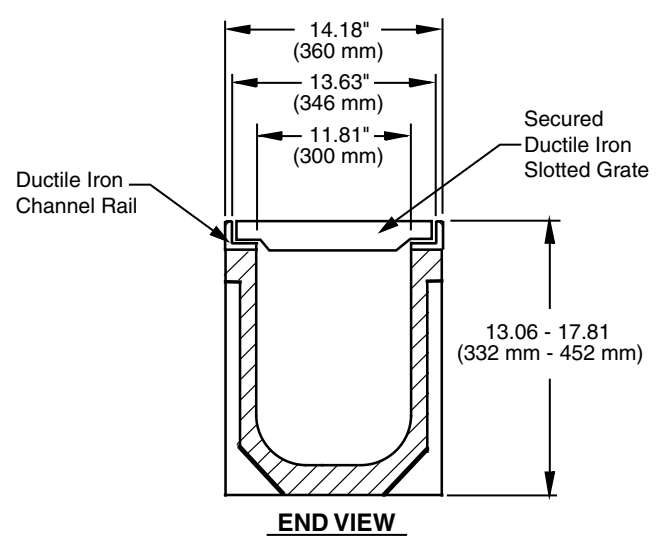
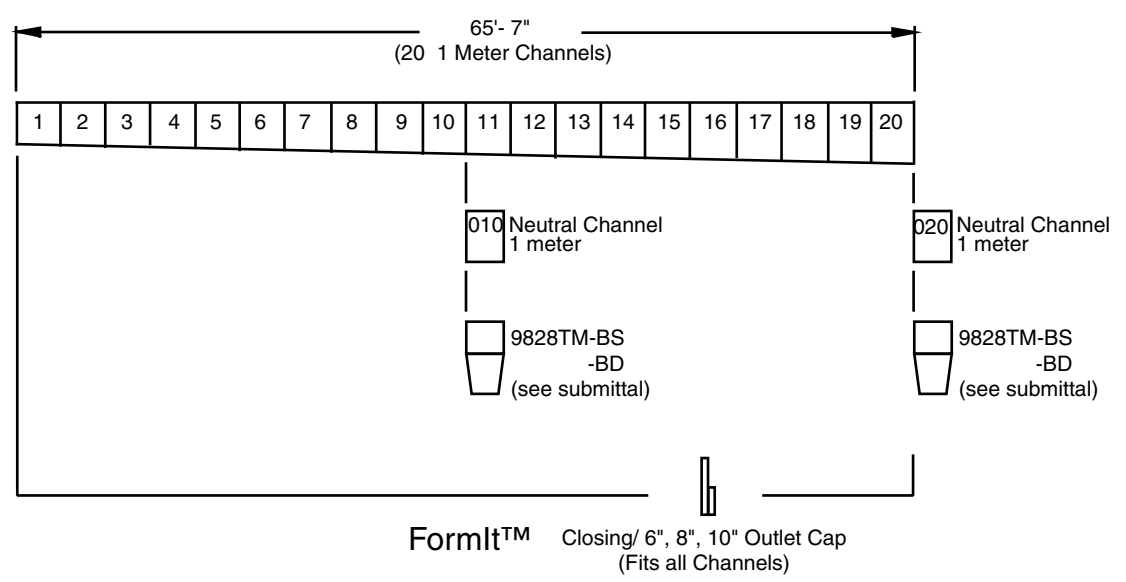


F	 <p><b>SMITH® JAY R. SMITH MFG. CO.®</b>          DIVISION OF SMITH INDUSTRIES, INC.          POST OFFICE BOX 3237          MONTGOMERY, ALABAMA 36109-0237 (USA)          TEL: 334-277-8520 FAX: 334-272-7396 www.jrsmith.com</p>	 MEMBER OF:	 MEMBER OF:		<b>LOCATION</b>
---	--	---	---	--	-----------------

## 12" WIDE 9828 CHANNEL BRUTE S300 DRAIN SYSTEM w/INTEGRAL DUCTILE IRON RAIL

**FUNCTION:** Used in all surface drainage applications, may be assembled in any length utilizing integral Ductile Iron rail that allows for extra heavy duty applications, such as airports, bus depots, military bases, warehouses, service stations, and industrial plants. The channel and grate combination is rated for DIN 19580 load class "F" loading up to 202,320 lbs and designed to withstand loads forced on by turning actions from heavy wheeled vehicles.



All channels provided with vertical preformed knock-out positions for 6" (152 mm) and 8" (203 mm) outlet discharge.

**Note:** This trench drainage system is designed for "on grade applications only", as there are no provisions for a flashing flange or flashing clamp.

**REGULARLY FURNISHED:**  
 1 Meter (3.28') Precast Polyester Concrete Channel of Interlocking Design with a Built-in Slope of .6%. Channel has an Integral Ductile Iron Rail & Radiused Bottom. Supplied with DIN 19580 load class "F" rated Secured Ductile Iron Slotted Grates. Grates are Secured with 8 High Strength Bolts to the Ductile Iron Frame.

- VARIATIONS:**
- Closing/ 6", 8", 10" Outlet Endcap
  - ADA Compliant Grate
  - 9828TM -BS Catch Basin
  - 9828TM -BD Catch Basin



DRAWING NUMBER: 9828  
 SIZE: A  
 SCALE: NONE  
 DATE: 3-21-03  
 APPROVED BY: PACE  
 CHECKED BY: PACE  
 DRAWN BY: RN  
 FIGURE NUMBER: 9828

WE CAN ASSUME NO RESPONSIBILITY FOR USE OF SUPERSEDED OR VOID DATA  
 DIMENSIONS ARE SUBJECT TO MANUFACTURERS TOLERANCE AND CHANGE WITHOUT NOTICE

F E D	3-23-09 9-28-07 8-1-07	Add DIN Load Class "F" Revised Drawing Add Catch Basin Info	RN JJ RN	MD MD MD	WEIGHT POUNDS	VOLUME CUBIC FEET	FIGURE NUMBER  <b>9828</b>
REV.	DATE	DESCRIPTION	BY	CKD. BY			

D



**JAY R. SMITH MFG. CO.®**

DIVISION OF SMITH INDUSTRIES, INC.  
POST OFFICE BOX 3237  
MONTGOMERY, ALABAMA 36109-0237 (USA)  
TEL: 334-277-8520 FAX: 334-272-7396 www.jrsmith.com



MEMBER OF:

LOCATION

DRAWING NUMBER  
a9828BSSIZE  
ASCALE:  
NONEDATE:  
3-21-03

APPROVED BY:

CHECKED BY:

DRAWN BY:  
RN

9828BS

FIGURE  
NUMBERWE CAN ASSUME NO RESPONSIBILITY FOR USE OF SUPERSEDED OR VOID DATA  
DIMENSIONS ARE SUBJECT TO MANUFACTURERS TOLERANCE AND CHANGE WITHOUT NOTICE

## 12" WIDE 9828 CHANNEL BRUTE S300 DRAIN SYSTEM w/INTEGRAL DUCTILE IRON RAIL

Channel Number	Deep End Depth* in.	mm	Slope	Channel Length	Weight lbs. Channel w/Grates
9828-S300-1	13.31	338	0.6	39.38/1m	217
9828-S300-2	13.54	344	0.6	39.38/1m	218
9828-S300-3	13.78	350	0.6	39.38/1m	219
9828-S300-4	14.01	356	0.6	39.38/1m	220
9828-S300-5	14.25	362	0.6	39.38/1m	221
9828-S300-6	14.49	368	0.6	39.38/1m	222
9828-S300-7	14.72	374	0.6	39.38/1m	223
9828-S300-8	14.96	380	0.6	39.38/1m	224
9828-S300-9	15.20	386	0.6	39.38/1m	225
9828-S300-10	15.43	392	0.6	39.38/1m	226
9828-S300-010	15.43	392	0.0	39.38/1m	227
9828-S300-11	15.67	398	0.6	39.38/1m	227
9828-S300-12	15.91	404	0.6	39.38/1m	228
9828-S300-13	16.14	410	0.6	39.38/1m	230
9828-S300-14	16.38	416	0.6	39.38/1m	231
9828-S300-15	16.61	422	0.6	39.38/1m	232
9828-S300-16	16.85	428	0.6	39.38/1m	233
9828-S300-17	17.09	434	0.6	39.38/1m	234
9828-S300-18	17.32	440	0.6	39.38/1m	235
9828-S300-19	17.56	446	0.6	39.38/1m	236
9828-S300-20	17.80	452	0.6	39.38/1m	238
9828-S300-020	17.80	452	0.0	39.38/1m	238

**NOTE:** To calculate invert dim. on deep end of the channel,  
subtract 1.12" (28mm) from deep end depth shown in above table.

D  
C9-29-09  
6-9-03Revised Drawing  
Corrected TableJJ  
RNMD  
PJWEIGHT  
POUNDSVOLUME  
CUBIC FEET

FIGURE NUMBER

9828BS

REV.

DATE

DESCRIPTION

BY

CKD. BY