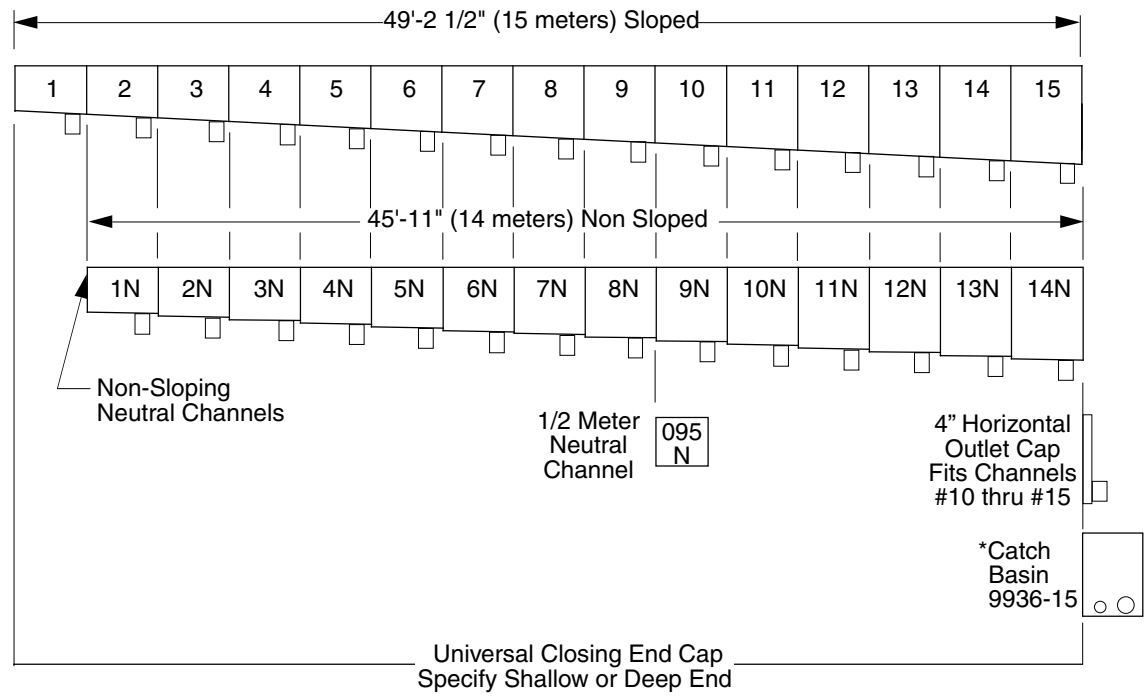


R
 DRAWING NUMBER S9930
 SIZE A
 SCALE: NONE
 DATE: 8-11-94
 APPROVED BY: PACE
 CHECKED BY: PACE
 DRAWN BY: TWK
 9930
 FIGURE NUMBER

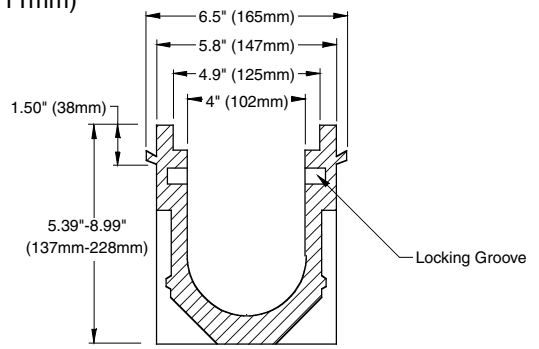
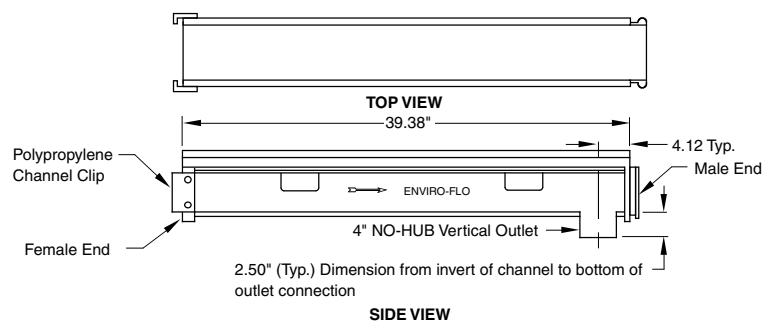
WE CAN ASSUME NO RESPONSIBILITY FOR USE OF SUPERSEDED OR VOID DATA
 DIMENSIONS ARE SUBJECT TO MANUFACTURERS TOLERANCE AND CHANGE WITHOUT NOTICE

9930 SERIES ENVIRO-FLO® DRAIN SYSTEM

FUNCTION: Used in all surface drainage applications, may be assembled in any length utilizing interlocking tongue and groove ends. This reduces installation time and cost, providing an engineered sloped solution for drainage requirement.



NOTE: All 1 Meter Long Sloped and Neutral Channels have a Molded 4" (111mm) No-Hub bottom Connection. The #095N 1/2 Meter Channel does not have a bottom Outlet Connection.



REGULARLY FURNISHED:
 1 Meter (3.28') 100% Polypropylene with U.V. Inhibitors. Channel of Interlocking Design with a Built-in Slope of .6% with Radiused Bottom. Supplied with Secured Grate.

- VARIATIONS:**
- Grate Specifications (See Back)
 - Closing End Cap
 - Horizontal Outlet 4"
 - Channel Chair
 - Catch Basin Only 9935 (Specify Outlet Channel)
 - Catch Basin Bucket, available catch basin only 9935

- Stainless Steel Overlay Rail Edge (Type 304)
- Rante Arrow

*NOTE: If catch basin is specified for any other channel except for the #15 channel, a channel shim must be ordered part number 9930-ESK

Note: This trench drainage system is designed for "on grade applications only", as there are no provisions for a flashing flange or flashing clamp.



REV.	DATE	DESCRIPTION	BY	CKD. BY
R	11-20-07	Added 4" Horizontal Outlet	RN	PJ
Q	6-17-05	Added Note	TBW	PJ
P	12-20-04	Removed #15 Neutral Channel	TBW	PJ
N	9-30-04	Revised Catch Basins	TBW	PJ
M	03/08/02	Added 095N Channel	JJ	PJ

WEIGHT POUNDS	VOLUME CUBIC FEET
---------------	-------------------

FIGURE NUMBER
9930

L



JAY R. SMITH MFG. CO.®
 DIVISION OF SMITH INDUSTRIES, INC.
 POST OFFICE BOX 3237
 MONTGOMERY, ALABAMA 36109-0237 (USA)
 TEL: 334-277-8520 FAX: 334-272-7396 www.jrsmith.com



MEMBER OF:

LOCATION

9930 SERIES ENVIRO-FLO® DRAIN SYSTEM

DRAWING NUMBER
9930BS

SIZE
A

SCALE:
NONE

DATE:
8-2-93

APPROVED BY:
PACE

CHECKED BY:
PACE

DRAWN BY:
TWK

9930BS

WE CAN ASSUME NO RESPONSIBILITY FOR USE OF SUPERSEDED OR VOID DATA

HYDRAULIC CAPACITY AND DEEP END DEPTHS 9930 SYSTEM

CHANNEL NUMBER	DEEP END DEPTH		SLOPE	SINGLE CHANNEL		WEIGHT Lbs.
	IN.	MM.		EST CFS	EST GPM	
9930-1	5.63	144	0.6%	.29	128	9.00
9930-1N	5.63	144	0.0%	.29	128	9.00
9930-2	5.87	150	0.6%	.31	141	10.00
9930-2N	5.87	150	0.0%	.31	141	10.00
9930-3	6.11	156	0.6%	.34	151	11.00
9930-3N	6.11	156	0.0%	.34	151	11.00
9930-4	6.35	161	0.6%	.36	164	12.00
9930-4N	6.35	161	0.0%	.36	164	12.00
9930-5	6.59	169	0.6%	.39	177	12.00
9930-5N	6.59	169	0.0%	.39	177	12.00
9930-6	6.83	175	0.6%	.42	187	12.00
9930-6N	6.83	175	0.0%	.42	187	12.00
9930-7	7.07	181	0.6%	.45	200	12.00
9930-7N	7.07	181	0.0%	.45	200	12.00
9930-8	7.31	187	0.6%	.47	213	13.00
9930-8N	7.31	187	0.0%	.47	213	13.00
9930-9	7.55	193	0.6%	.49	224	14.00
*** 9930-095N	7.55	193	0.0%	.25	114	6.00
9930-9N	7.55	193	0.0%	.49	224	14.00
9930-10	7.79	199	0.6%	.53	237	15.00
9930-10N	7.79	199	0.0%	.53	237	15.00
9930-11	8.03	206	0.6%	.56	250	15.00
9930-11N	8.03	206	0.0%	.56	250	15.00
9930-12	8.27	212	0.6%	.58	261	15.00
9930-12N	8.27	212	0.0%	.58	261	15.00
9930-13	8.51	218	0.6%	.61	274	15.00
9930-13N	8.51	218	0.0%	.61	274	15.00
9930-14	8.75	224	0.6%	.64	287	15.00
9930-14N	8.75	224	0.0%	.64	287	15.00
9930-15	8.99	230	0.6%	.67	301	15.00

***NOTE: The 1/2 Meter Channel does not have a Vertical Outlet.

Light Duty, DIN 19580 **Class A** - 3,500 lbs - 70 psi
 For pedestrian, wheel chair and bicycle traffic

- * 9870-410-GP- 1/4 dia. perforated galv. steel grate (27.60 SQ. IN.)
- * 9870-420-G - 3 1/4 x 3/8 slotted galv. steel grate (42.60 SQ. IN.)
- 9870-440-VF- 4 7/8" x 5/8" vinylester fiberglass bar grate (144.00 SQ. IN) (Non-Q-Loc)
- 9870-440-VF2- 4 7/8" x 3/8" vinylester fiber glass bar grate (113.00 SQ. IN.)
- * 9870-450-SS- 3 1/4 x 3/8 slotted stainless steel grate (42.60 SQ. IN.)
- * 9870-451-SSPA- 1/4 dia. perforated stainless steel grate (27.60 SQ. IN.)
- * 9870-445-SSADA- 13/16 x 3/16 longitudinal stainless steel slot bar grate (95.00 SQ. IN.)
- * 9870-494-PADAB- 1 3/4 x 5/16 longitudinal slot black polypropylene grate (28.0 SQ. IN.)
- * 9870-494-PADAG- 1 3/4" x 5/16 longitudinal slot gray polypropylene grate (28.0 SQ. IN.)
- 9870-491-HPP- 1 13/16" x .25 slotted black polypropylene grate non-Q-loc (17.00 SQ. IN.)

Heavy Duty, DIN 19580 **Class C** -56,000 lbs - 1,162 psi
 For commercial pneumatic tire traffic patterns, forklifts and tractor trailers

- * 9870-405-GM- 13/16 x 1/2 longitudinal galv. steel slot bar grate (125.30 SQ. IN.)
- * 9870-411 -GPHD- 1/4 dia. perforated galv. steel grate (27.60 SQ. IN.)
- 9870-416-GS- solid galvanized steel cover (Non QuickLoc)
- * 9870-425-GHD- 3 1/4 x 3/8 slotted galv. steel grate (42.60 SQ. IN.)
- * 9870-430-SSM- 1 3/16 x 1/2 longitudinal stainless steel slot bar grate (125.30 SQ. IN.)
- * 9870-455-SSH- 3 1/4 x 3/8 slotted stainless steel grate (42.60 SQ. IN.)
- 9870-460-CI- 3 15/16" x 3/8" cast iron slotted grate (21.00 SQ. IN) (Non QuickLoc)
- * 9870-465-SSP- 1/4 dia. perforated stainless steel grate (27.60 SQ. IN.)
- * 9870-479-MD- Mosaic pattern ductile iron grate (19.50 SQ. IN.)
- * 9870-485-PB- 1/4 dia. perforated brass grate (27.60 SQ. IN.)
- * 9870-492-RC- 1 1/2 x 13/16 slotted resin composite grate (16.30 SQ. IN.)

NOTE: The grate securing bolts must remain secured in the grate and tightened to the locking bar installed in the channel. If the grate securing bolts are removed from the grates for maintenance of the trench drain, they must be replaced and retightened. If the grate securing bolts are left out of the grates, the life span of the trench drain system could be affected along with the safety of pedestrian traffic.

*Supplied with QuickLoc® securing device regularly furnished



FIGURE NUMBER

L
K

03/22/05
12-20-04

Updated Grates
Deleted #15N Channel

JJ
TBW

PJ
PJ

WEIGHT
POUNDS

VOLUME
CUBIC FEET

FIGURE NUMBER

9930BS