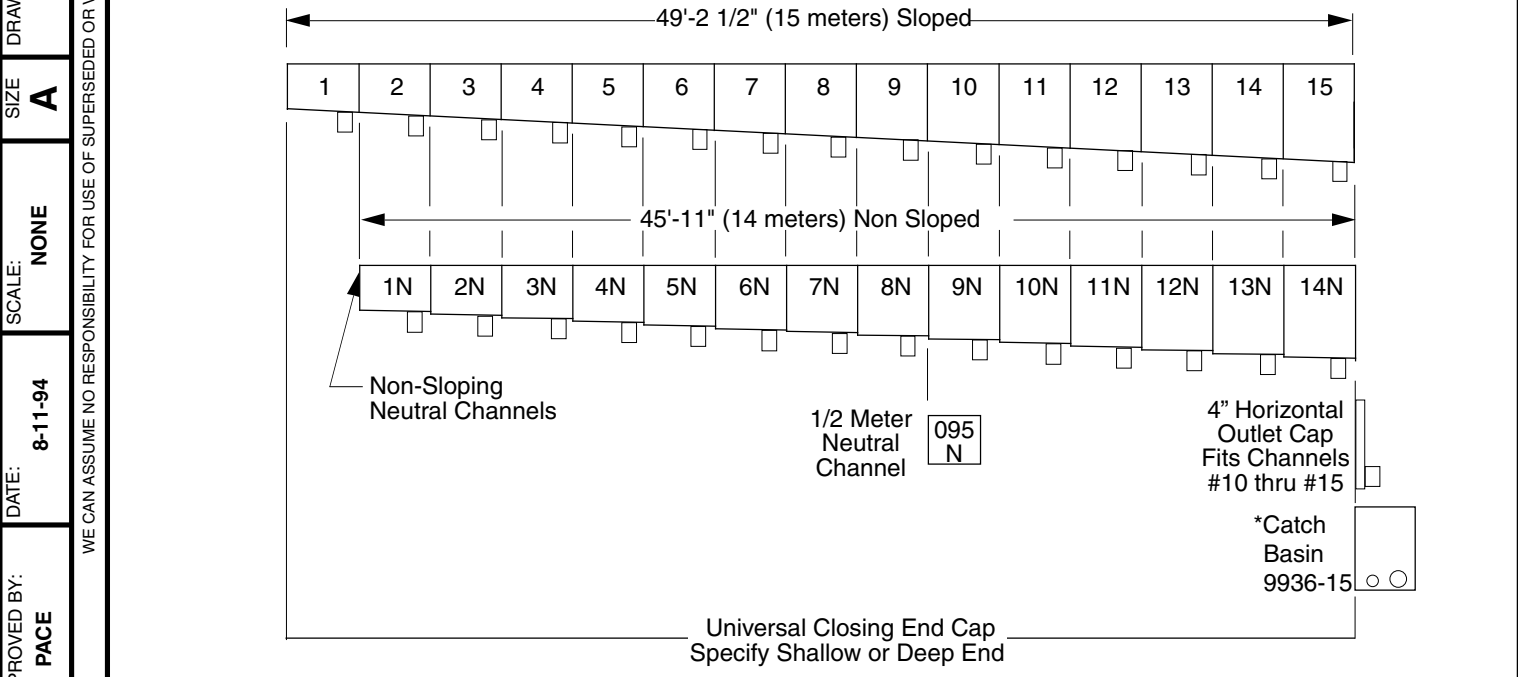
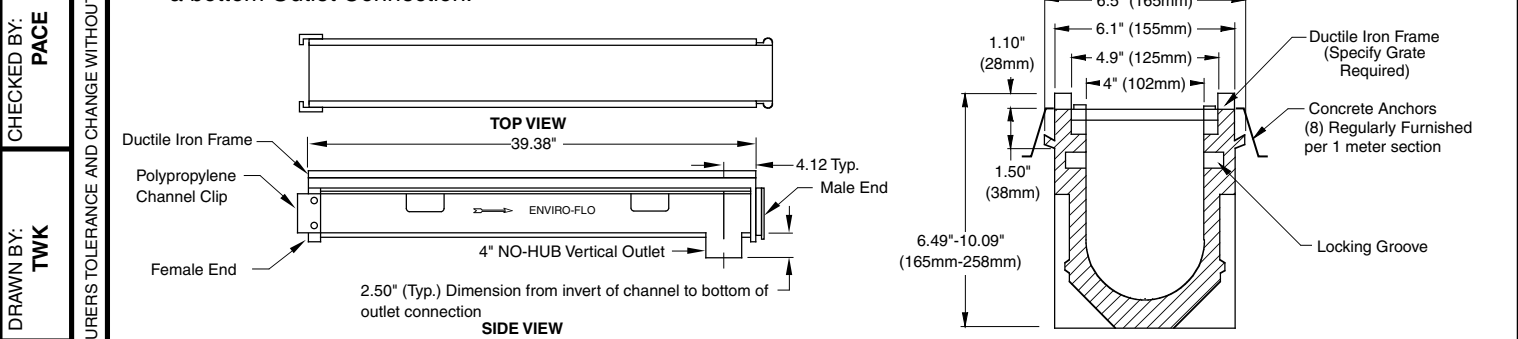


9931 SERIES EXTRA HEAVY DUTY ENVIRO-FLO® DRAIN SYSTEM

FUNCTION: Used in all surface drainage, may be assembled in any length utilizing ductile iron frame system that is recommended for situations requiring an extra heavy duty rating to protect against hard wheel traffic, impact of steel containers, struts and metal wheels.



NOTE: All 1 Meter Long Sloped and Neutral Channels have a Molded 4" (111mm) No-Hub bottom Connection. The #095N 1/2 Meter Channel does not have a bottom Outlet Connection.



REGULARLY FURNISHED:
 1 Meter (3.28') 100% Recycled Polypropylene with U.V. Inhibitors. Channel of Interlocking Design with a Built-in Slope of .6% with Radiused Bottom along with Ductile Iron Frame Support System, (8) Galvanized Concrete Anchors. Supplied with Secured Grate.

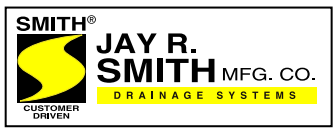
VARIATIONS:

- Grate Specifications (See Back)
- Closing End Cap
- Horizontal Outlet 4" (Specify Channel)
- Channel Chair
- Catch Basin Only 9936 (Specify Outlet Channel)
- Catch Basin Bucket, available catch basin only 9936

Rante Arrow

***NOTE:** If catch basin is specified for any other channel except for the #15 channel, a channel shim must be ordered part number 9930-ESK

Note: This trench drainage system is designed for "on grade applications only", as there are no provisions for a flashing flange or flashing clamp.



9931	R Q P N	11-20-07 6-17-05 12-20-04 9-30-04	Added 4" Horizontal Outlet Added Note Removed #15N Channel Revised Catch Basins	RN TBW TBW TBW	PJ PJ PJ PJ	WEIGHT POUNDS	VOLUME CUBIC FEET	FIGURE NUMBER 9931
	REV.	DATE	DESCRIPTION	BY	CKD. BY			

DRAWING NUMBER S9931
 SIZE A
 SCALE: NONE
 DATE: 8-11-94
 APPROVED BY: PACE
 CHECKED BY: PACE
 DRAWN BY: TWK
 DIMENSIONS ARE SUBJECT TO MANUFACTURERS TOLERANCE AND CHANGE WITHOUT NOTICE
 WE CAN ASSUME NO RESPONSIBILITY FOR USE OF SUPERSEDED OR VOID DATA

9931BS
 DRAWING NUMBER **s9931BS**
 SIZE **A**
 SCALE: **NONE**
 DATE: **7-15-94**
 APPROVED BY: **PACE**
 CHECKED BY: **PACE**
 DRAWN BY: **TWK**
 FIGURE NUMBER

DIMENSIONS ARE SUBJECT TO MANUFACTURERS TOLERANCE AND CHANGE WITHOUT NOTICE
 WE CAN ASSUME NO RESPONSIBILITY FOR USE OF SUPERSEDED OR VOID DATA

SMITH® JAY R. SMITH MFG. CO.®
 DIVISION OF SMITH INDUSTRIES, INC.
 POST OFFICE BOX 3237
 MONTGOMERY, ALABAMA 36109-0237 (USA)
 TEL: 334-277-8520 FAX: 334-272-7396 www.jrsmith.com





MEMBER OF:

LOCATION

9931 SERIES EXTRA HEAVY DUTY ENVIRO-FLO® DRAIN SYSTEM

HYDRAULIC CAPACITY AND DEEP END DEPTHS 9931 SYSTEM

CHANNEL NUMBER	DEEP END DEPTH		SLOPE	SINGLE CHANNEL		WEIGHT Lbs.
	IN.	MM.		EST CFS	EST GPM	
9931-1	6.73	172	0.6%	.29	128	46.50
9931-1N	6.73	172	0.0%	.29	128	46.50
9931-2	6.97	178	0.6%	.31	141	47.50
9931-2N	6.97	178	0.0%	.31	141	47.50
9931-3	7.21	185	0.6%	.34	151	48.50
9931-3N	7.21	185	0.0%	.34	151	48.50
9931-4	7.45	191	0.6%	.36	164	49.50
9931-4N	7.45	191	0.0%	.36	164	49.50
9931-5	7.69	197	0.6%	.39	177	49.50
9931-5N	7.69	197	0.0%	.39	177	49.50
9931-6	7.93	203	0.6%	.42	187	49.50
9931-6N	7.93	203	0.0%	.42	187	49.50
9931-7	8.17	209	0.6%	.45	200	49.50
9931-7N	8.17	209	0.0%	.45	200	49.50
9931-8	8.41	215	0.6%	.47	213	50.50
9931-8N	8.41	215	0.0%	.47	213	50.50
9931-9	8.65	221	0.6%	.49	224	51.50
*** 9931-095N	8.65	221	0.0%	.25	114	25.25
9931-9N	8.65	221	0.0%	.49	224	51.50
9931-10	8.89	228	0.6%	.53	237	52.50
9931-10N	8.89	228	0.0%	.53	237	52.50
9931-11	9.13	234	0.6%	.56	250	52.50
9931-11N	9.13	234	0.0%	.56	250	52.50
9931-12	9.37	240	0.6%	.58	261	52.50
9931-12N	9.37	240	0.0%	.58	261	52.50
9931-13	9.61	246	0.6%	.61	274	52.50
9931-13N	9.61	246	0.0%	.61	274	52.50
9931-14	9.85	252	0.6%	.64	287	52.50
9931-14N	9.85	252	0.0%	.64	287	52.50
9931-15	10.09	258	0.6%	.67	301	52.50

NOTE: The grate securing bolts must remain secured in the grate and tightened to the locking bar installed in the channel. If the grate securing bolts are removed from the grates for maintenance of the trench drain, they must be replaced and retightened. If the grate securing bolts are left out of the grates, the life span of the trench drain system could be affected along with the safety of pedestrian traffic.

*****NOTE: The 1/2 Meter Channel does not have a Vertical Outlet.**

Extra Heavy Duty, DIN 19580 Class E-135,00 lbs - 2,788 psi
 For commercial solid tire traffic patterns, forklifts and impacts from steel struts or metal wheels.

- 9870-D-MS - Solid Ductile Iron
- 9870-M - Slotted Ductile Iron 26.40 SQ. IN.
- 9870-ADA - ADA Longitudinal Ductile Iron 28.50 SQ. IN.



REV.	DATE	DESCRIPTION	BY	CKD. BY	WEIGHT POUNDS	VOLUME CUBIC FEET	FIGURE NUMBER
J	12-20-04	Deleted #15N Channel	TBW	PJ			9931BS
H	8-20-04	Deleted 9870-ML Grate	RN	PJ			
G	03/11/02	Added 095N Channel	JJ	PJ			
F	3-8-00	Deleted Recycled Symbol	SA	PJ			
E	3-2-00	Revised Grates	SA	PJ			