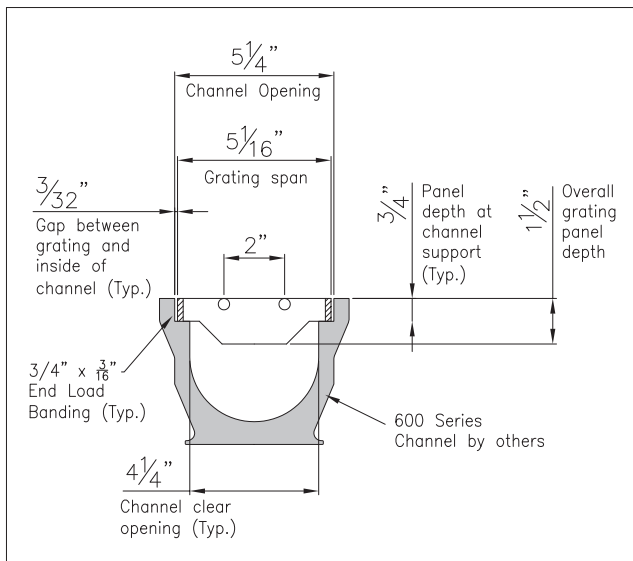
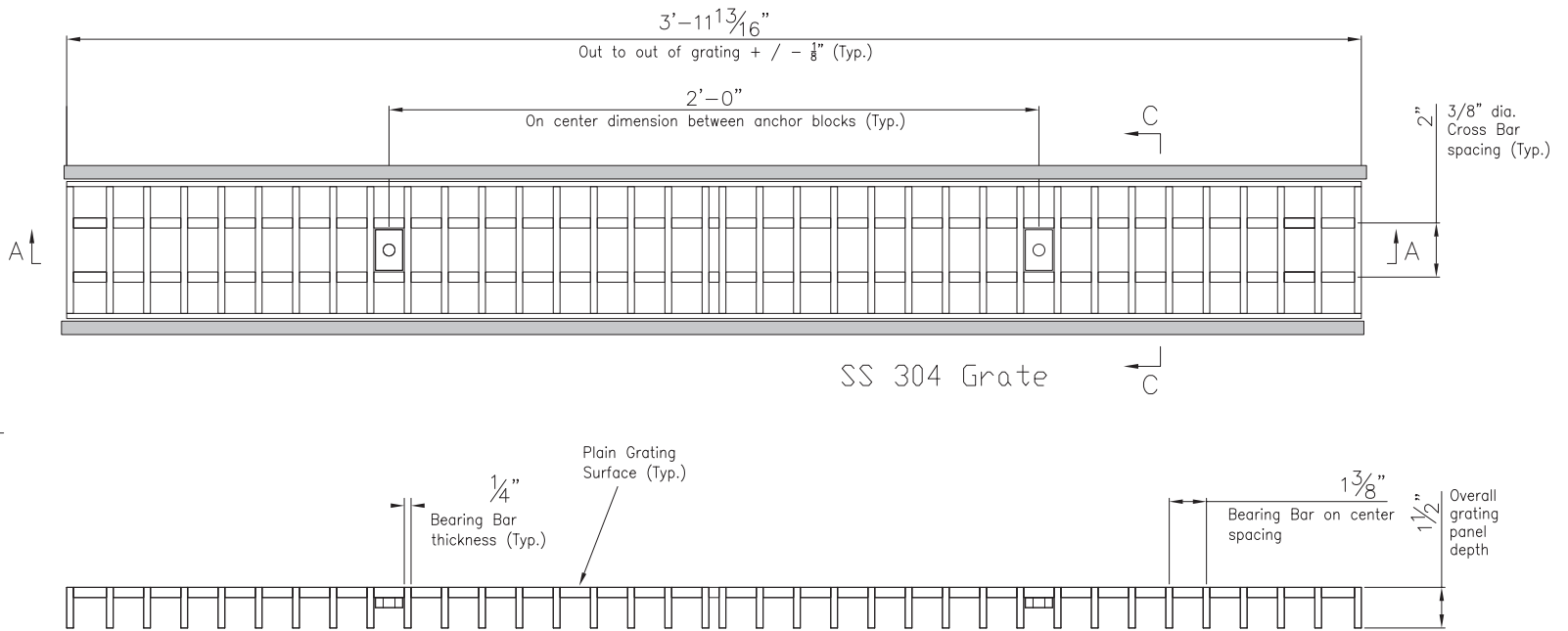


Grating  
Details for  
48" long



Fits:  
TDS - SS600 Drainage System  
Polycast - 600 & 700 Drainage Systems

Grating Information:

Heavy Duty Welded Grating 22-WSS-2, 1-1/2" x 1/4"  
with coped ends, 304 Stainless Steel, and with Plain Surface.

Finish: Sandblasted and Passivated.  
Percent open area: 68%.

Grating is sized to resist HS-20 Heavy Duty AASHTO load including 30% impact,  
and a 5 Ton capacity lift truck with pneumatic tires or hard rubber tires.

DIMENSIONS ARE IN INCHES OR MILLIMETERS IN BRACKETS UNLESS OTHERWISE NOTED.			
	BY	DATE	WEIGHT
DRN	JRS	3/27/17	20.6#
CHK	JRS	3/27/17	
ENG			
APR			
DRAWING #		TDS-213	
SCALE		NOT TO SCALE	
PART #		DG0669	
www.TrenchDrainSystems.com PO Box 377 • Fremont, OH 43420 (610) 638-1221			
DRAWING DESCRIPTION		STAINLESS HD BAR GRATE	