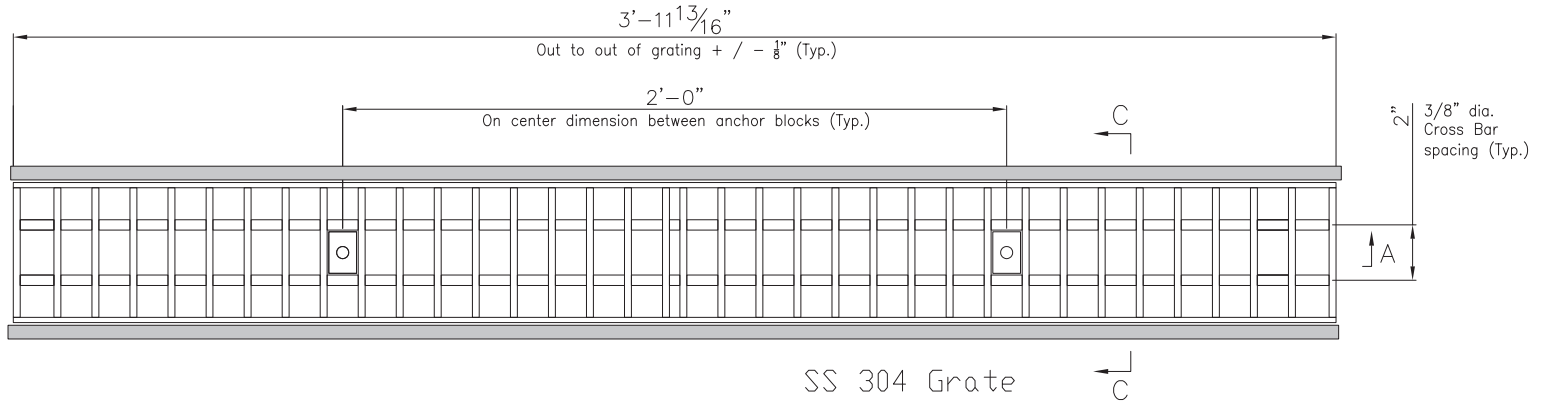
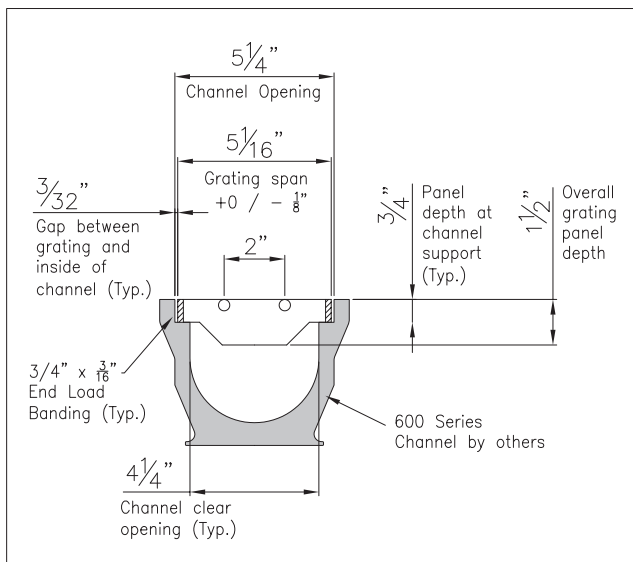
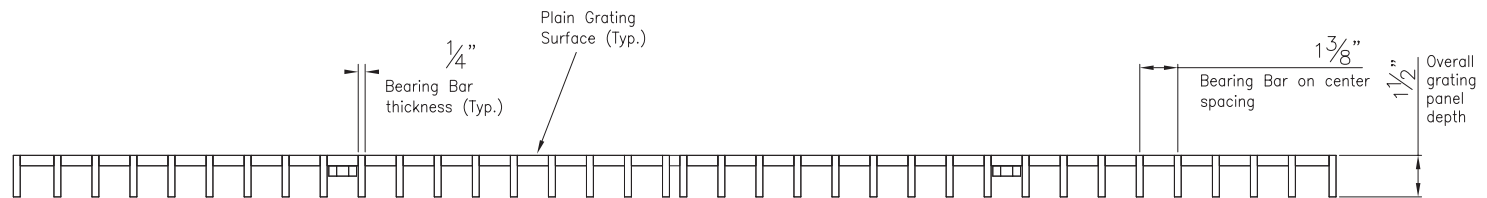


A-L



Grating  
Details for  
48" long  
600 Series  
Channel



Grating Information:

Heavy Duty Welded Grating 22-WSS-2, 1-1/2" x 1/4" with coped ends, 304 or 316 Stainless Steel as required, and with Plain Surface.

Finish: Sandblasted and Passivated.

Percent open area: 68%.

Grating is sized to resist HS-20 Heavy Duty AASHTO load including 30% impact, and a 5 Ton capacity lift truck with pneumatic tires or hard rubber tires.

DIMENSIONS ARE IN INCHES OR MILLIMETERS IN BRACKETS UNLESS OTHERWISE NOTED.				
BY	DATE	WEIGHT	 www.TrenchDrainSystems.com PO Box 377 • Fremont, OH 43420 (610) 638-1221	
DRN	JRP	3/3/16		20.6#
CHK	JRP	3/3/16		
ENG				
APR				
APR				
SCALE		DRAWING DESCRIPTION		
NOT TO SCALE		STAINLESS HD BAR GRATE		
DRAWING NUMBER				
DG0669				