

TRENCH DRAIN SYSTEMS

DG0670

600 Series

DURAGUARD® Slotted

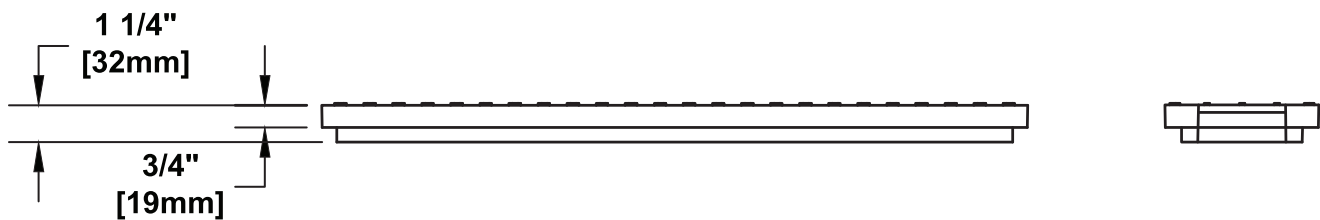
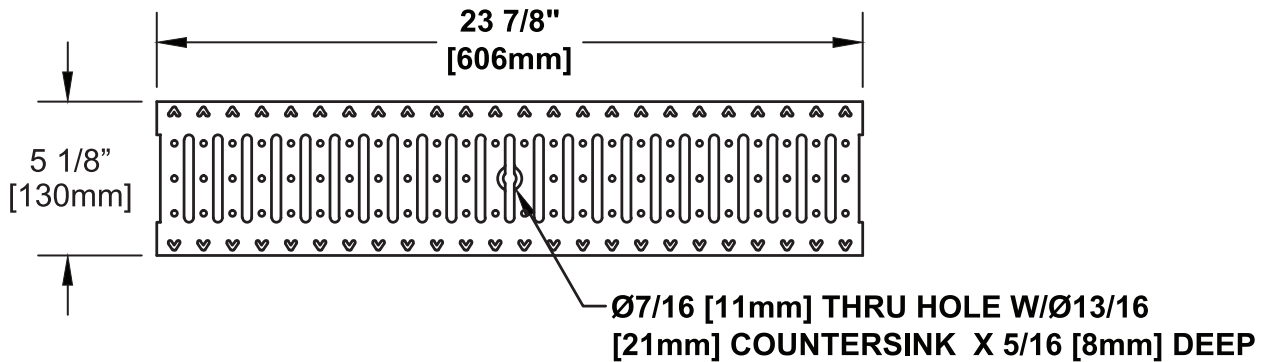
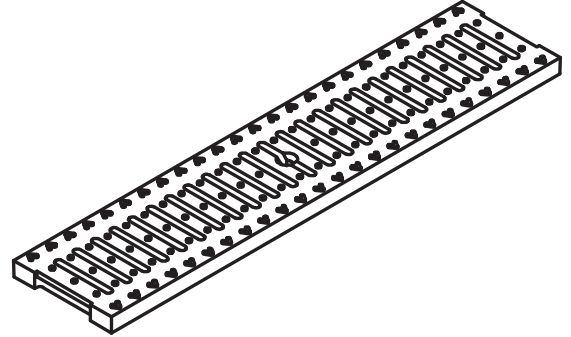
FOR:

TDS - SS600 Drainage System

Polycast - 600 & 700 Drainage Systems

ENGINEERING SPECIFICATION:

DG0670 Grate is a high density polyethylene slotted grate appropriate for corrosive applications or where sanitary conditions are necessary. Provides excellent chemical resistance and durability. Polyethylene construction helps protect bare feet. Grating locking device Part No. DA0642 (not shown) should be used and maintained secure. The grate has 18% (18 in²) of open area. The grate weighs approximately 4lbs [1.81kg] and is only available in 24" [610mm] length.



APPLICATION LOAD CLASS: A

Residential, pedestrian, and cyclist traffic. Designed for a distributed pressure of 23psi (3372psf)(15kN).

Meets the following Standards & Specifications:

- DIN 19580 / DIN EN 1433 Drainage Channels for Vehicular and Pedestrian Areas
- Australian Standard AS 3996-2006 Clause 3.3.6

TRENCH DRAIN SYSTEMS

www.TrenchDrainSystems.com
PO Box 377 • Fremont, OH 43420 USA
(610) 638-1221