

TRENCH DRAIN SYSTEMS

DG0675

600 Series

DURAGUARD® Transverse

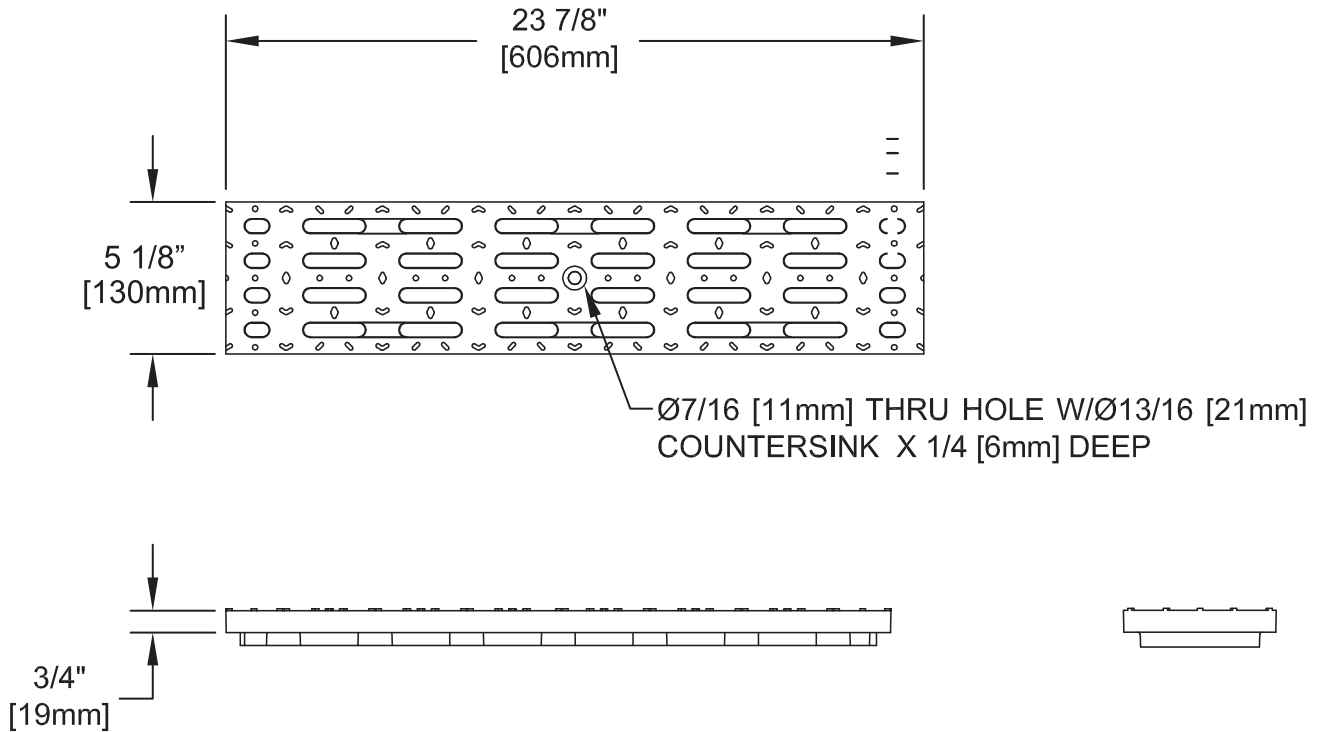
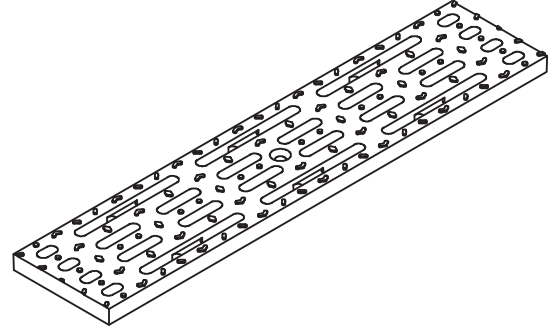
FOR:

TDS - SS600 Drainage System

Polycast - 600 & 700 Drainage Systems

ENGINEERING SPECIFICATION:

DG0675 Grate is a versatile and economical alternative high-density polyethylene composite grate. When used in high velocity transverse sheet flow applications, the longitudinal slots create turbulence to improve entry of flow into the channel. Grating locking device Part No. DA0642 (not shown) should be used and maintained secure. The grate has 23% (28 in²) of open area. The grate weighs approximately 4lbs [1.81kg] and is only available in 24" [610mm] length.



APPLICATION LOAD CLASS: A

Residential, pedestrian, and cyclist traffic. Designed for a distributed pressure of 23psi (3372psf)(15kN). ADA Compliant for accessible routes.

TRENCH DRAIN SYSTEMS

www.TrenchDrainSystems.com
PO Box 377 • Fremont, OH 43420 USA
(610) 638-1221