

## TDS0647R

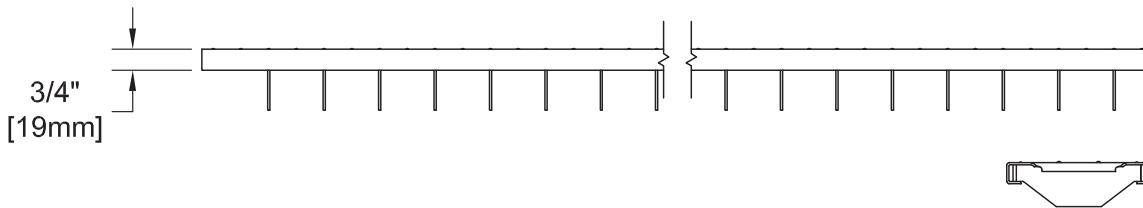
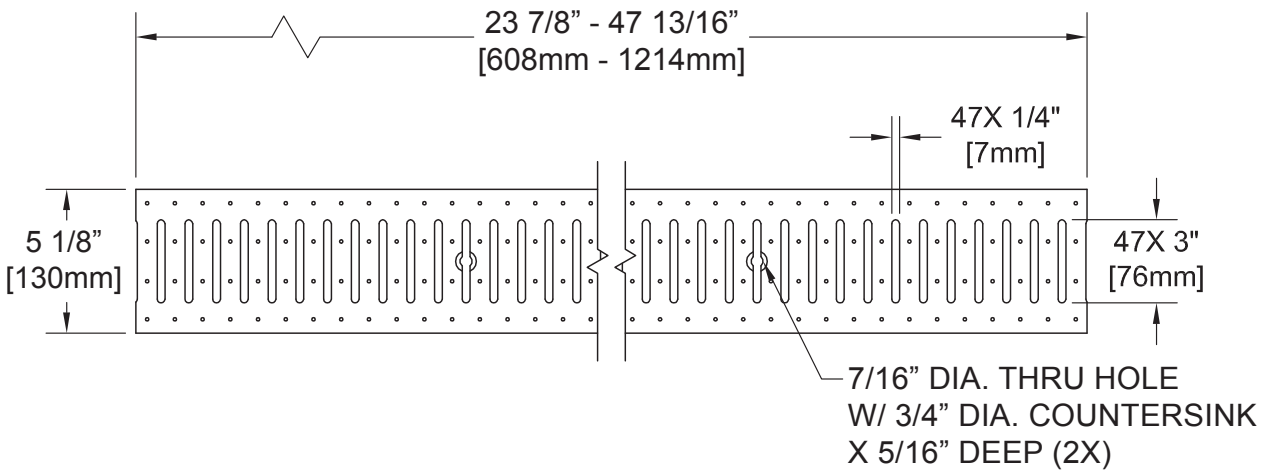
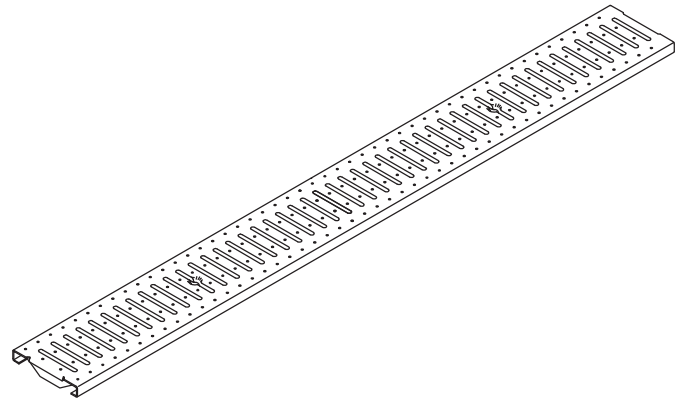
Stainless Steel Slotted - Reinforced

For the



### ENGINEERING SPECIFICATION:

This stainless steel grate is designed for use where sanitary conditions are essential. Grating locking device Part No. DA0642S (not shown) should be used and maintained secure. The grate has 20% (41in<sup>2</sup>) of open area. The grate is made 14 gauge GR. 304 Stainless Steel and weighs approximately 12lbs [5.44kg]. The grate is available in both 24" [610mm] and 48" [1219mm] lengths.



### APPLICATION LOAD CLASS: C

Pneumatic tire vehicles, highway vehicles and low to moderate speeds (parking areas and driveways). Designed for a distributed pressure of 260psi (37,440psf).