

TDS0657R

Stainless Steel Perforated - Reinforced

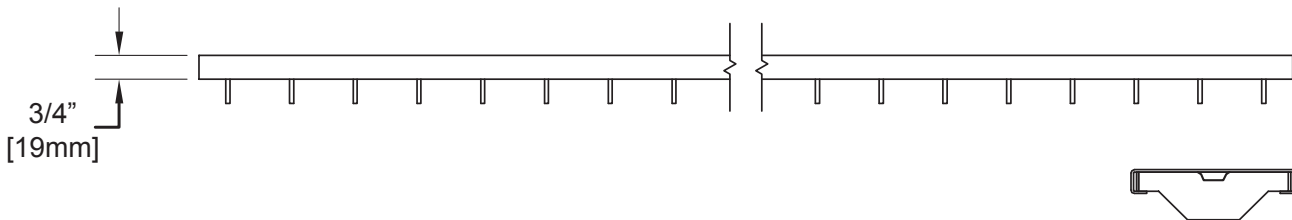
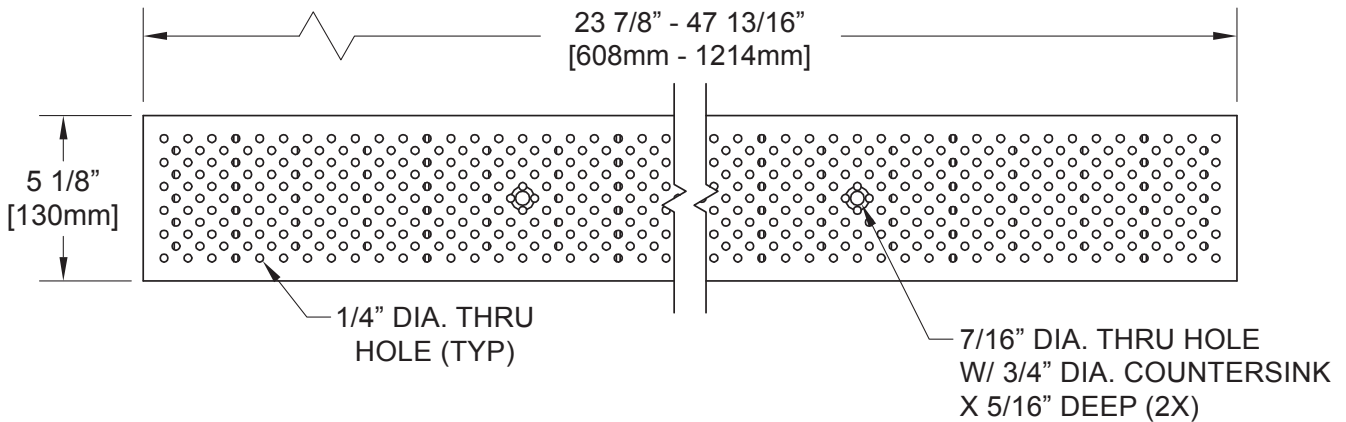
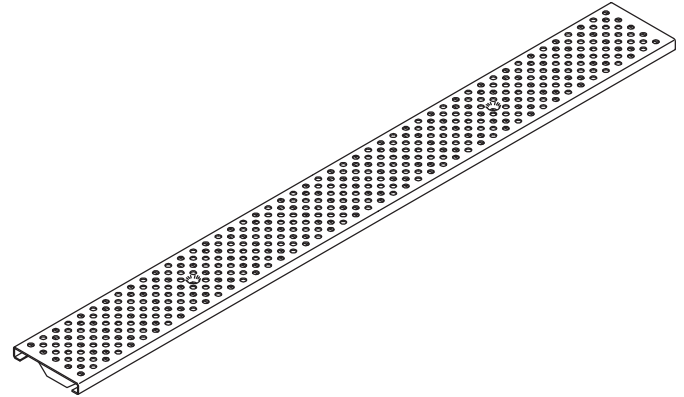
For the



ENGINEERING SPECIFICATION:

This stainless steel grate is designed for use where sanitary conditions are essential, as well as the need for heel-proof grating. Grating locking device Part No. DA0642S (not shown) should be used and maintained secure. The grate is made of 14 gauge GR. 304 Stainless Steel and weighs approximately 8lbs. The grate is available in both 24" [610mm] and 48" [1219mm] lengths.

This grate has 17% open area and 34 sq. inches of open area.



APPLICATION LOAD CLASS: C

Pneumatic tire vehicles, highway vehicles and low to moderate speeds (parking areas and driveways). Designed for a distributed pressure of 260psi (37,440psf). ADA Compliant for accessible routes.